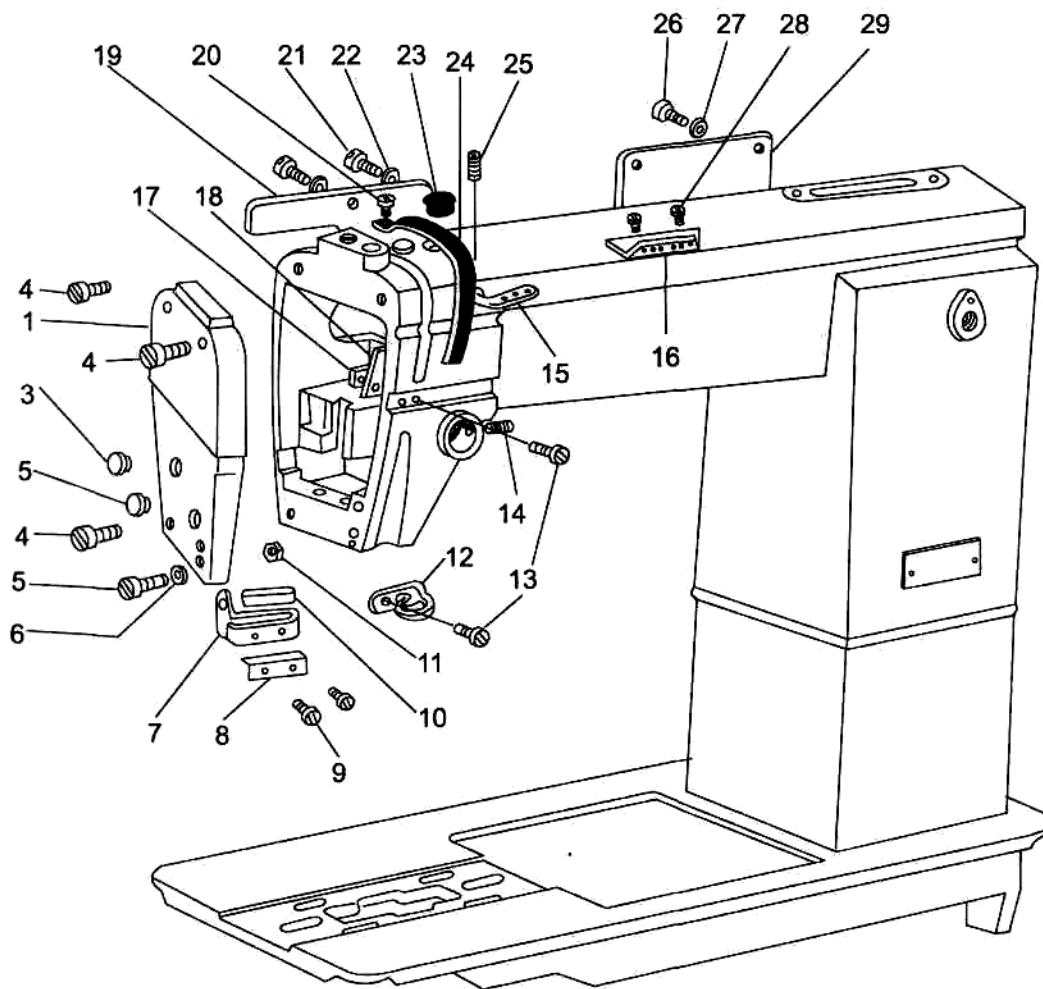


# Parts Book

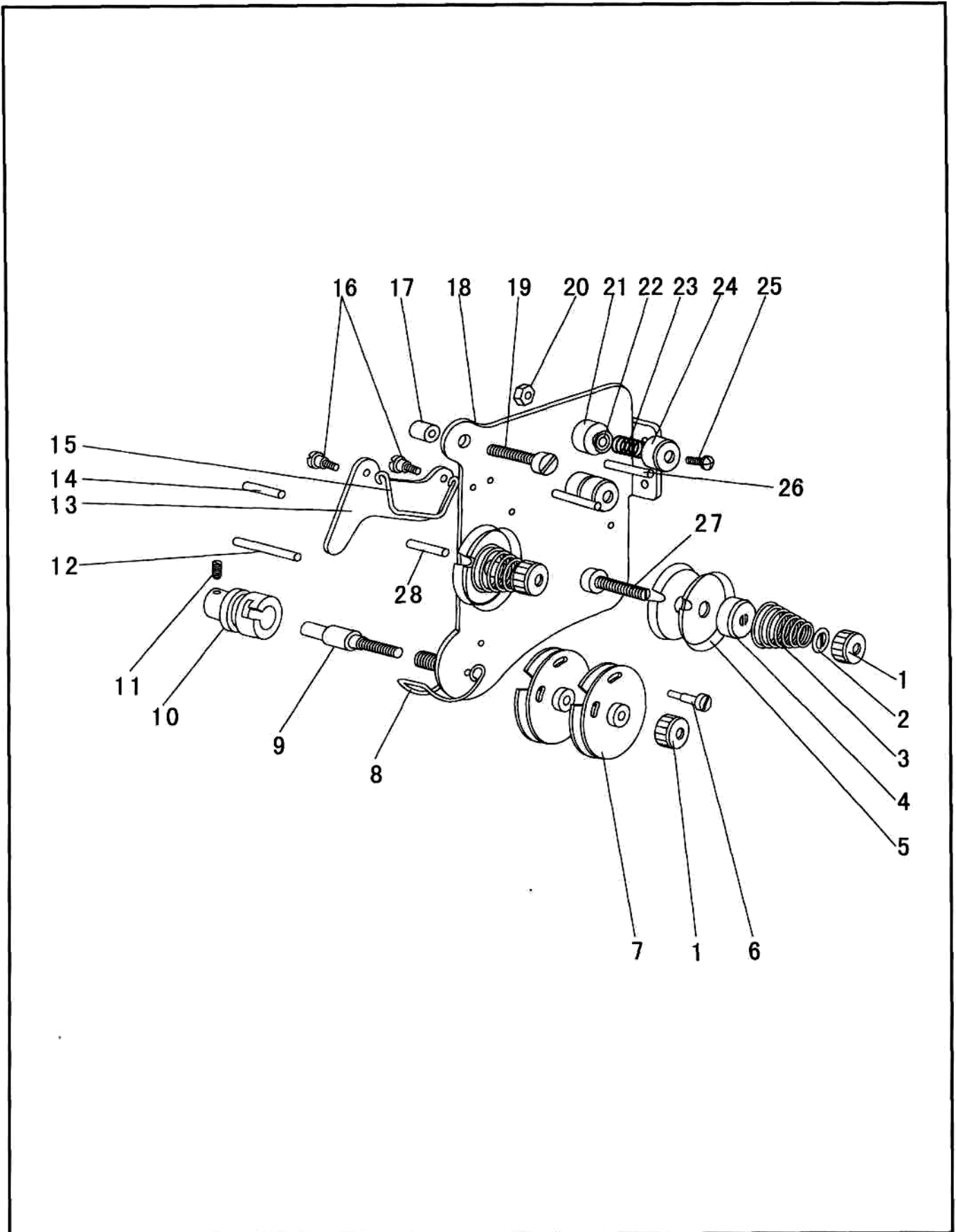
# 1. Bed Parts



# 1. Bed Parts

No.	Name	Parts No.	Qt.
1	Face plate	27WF2-005A	1
2	Plug (big)	22T1-003C3	1
3	Plug (small)	22T1-003C4	1
4	Screw	1WF5-042	3
5	Screw	1WF1-011	1
6	Washer	22T1-007	1
7	Lower thread guide	27WF2-005B	1
8	Presser plate	27WF2-005D	1
9	Screw	20T1-013F3	2
10	Oil felt	27WF2-005C	1
11	Nut	27WF2-005E	1
12	Upper thread guide	1WF1-008	1
13	Screw	1WF1-009	2
14	Screw	22T1-013	1
15	Three-eye thread guide	22T1-010	1
16	Upper thread retainer	1WF1-015	1
17	Block	1WF1-021	1
18	Oil stopper cover plate	1WF1-020	1
19	Oil stopper plate	27WF2-006	
20	Screw	1WF5-042	1
21	Screw	1WF1-011	2
22	Washer	22T1-007	2
23	Oil felt	27WF2-013	1
24	Safety device for thread take-up lever	27WF2-015	1
25	Screw	22T1-011	1
26	Screw	1WF1-011	3
27	Washer	22T1-007	3
28	Screw	1WF1-016	2
29	Rear cover	27WF2-007	3

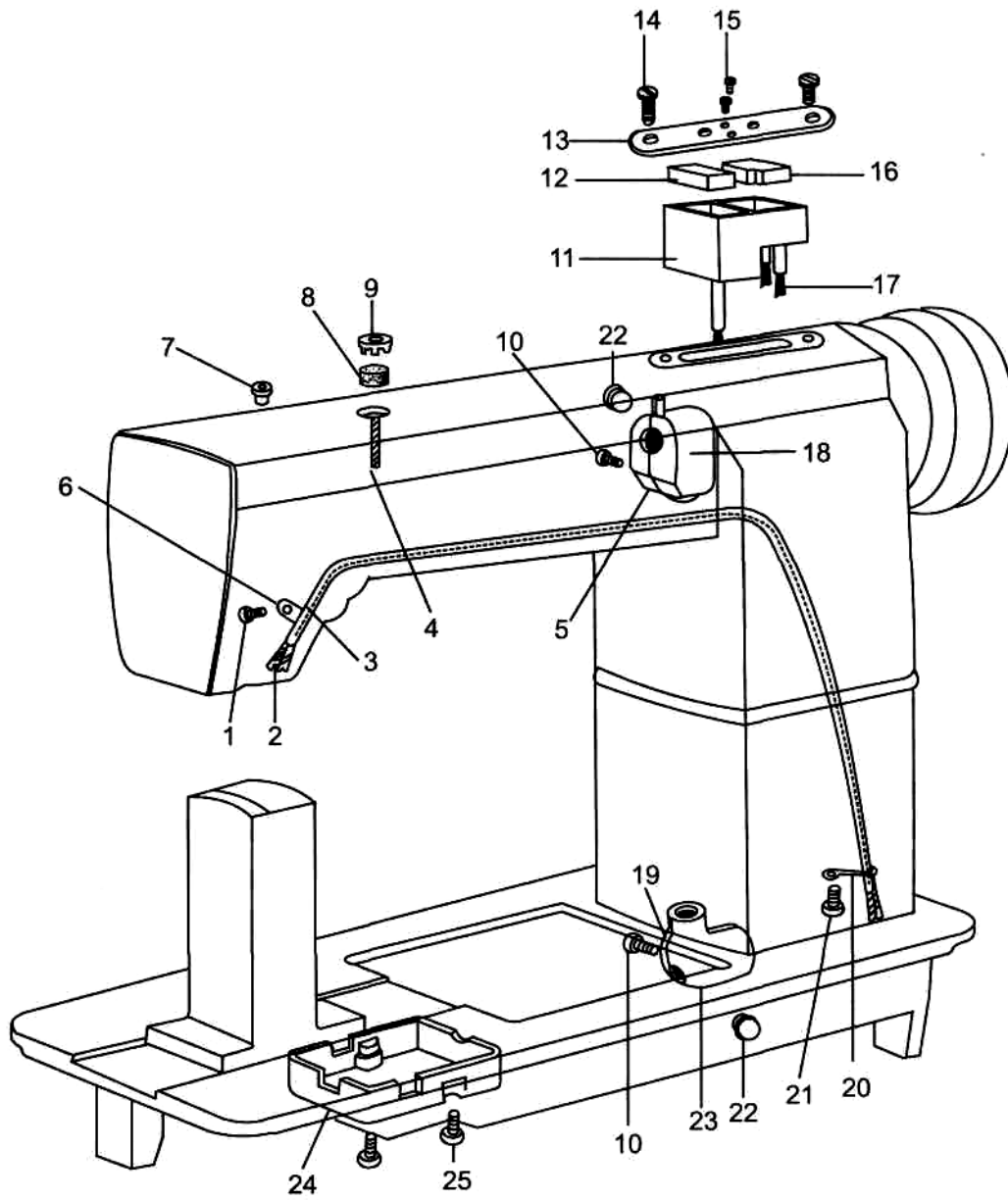
## 2. Thread tension assembly parts



## 2. Thread tension assembly parts

No.	Name	Parts No.	Qt.
1	Tension nut	27WF2-008A	2
2	Tension not stopper	22T1-012F10	2
3	Thread tension spring	27WF2-008B	2
4	Thread releasing plate	1WF1-010S	4
5	Thread tension disc	1WF1-010F	1
6	Screw	29WF-004	1
7	Thread controller complete	1WF1-010J	2
8	Thread take-up spring	19WF2-014	1
9	Shaft for thread take-up spring	29WF-005	1
10	Thread tension regulating bracket	29WF-006	1
11	Screw	22T1-012F8	1
12	Thread releasing pin(long)	1WF1-010L	1
13	Thread releasing plate	29WF-007	1
14	Thread releasing pin	29WF-020	1
15	Thread releasing spring	1WF1-010D	1
16	Screw	1WF1-010Q	2
17	Cushion	29WF-003	1
18	Thread tension assembling plate	1WF1-010A1	1
19	Screw	29WF-002	1
20	Nut	1WF1-010E3	2
21	Thread guiding bracket	1WF1-010B	2
22	Thread guiding plate	1WF1-010C	2
23	Thread guiding spring	1WF1-010D	2
24	Thread guiding bracket cover	1WF1-010E2	2
25	Screw	1WF1-010E1	2
26	Thread guiding rob	1WF1-010A2	2
27	Thread tension stud	1WF1-010A3	1
28	Thread releasing pin(short)	1WF1-010M	1

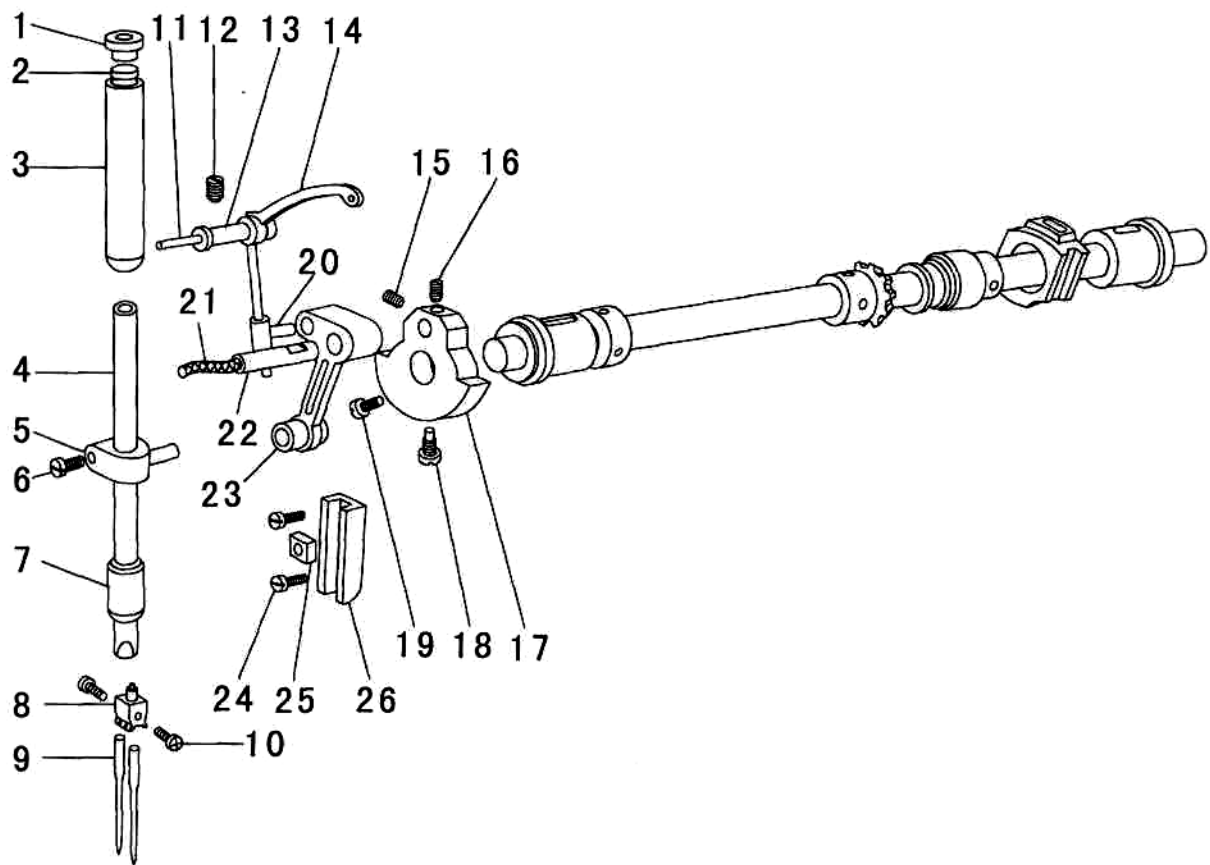
### 3. Lubrication parts



### 3. Lubrication parts

No.	Name	Parts No.	Qt.
1	Screw	16WF1-059	1
2	Oil wick		3
3	Oil pipe	27WF2-009A	1
4	Oil wick		1
5	Oil bag (front)	27WF2-016	1
6	Upper oil pipe clamp	1WF6-042	1
7	Oil out-let pad	27WF2-012	1
8	Oil felt	27WF2-013	1
9	Oil pad	27WF2-011	2
10	Screw		2
11	Oil box	27WF2-014B	1
12	Big oil felt	27WF2-014C	1
13	Upper cover	27WF2-014A	1
14	Screw	21WF4-055	2
15	Screw		2
16	Small oil felt	27WF4-014D	2
17	Long oil wick		1
	Short oil wick		1
18	Oil bag (rear)	27WF2-017	1
19	Oil bag (front)	27WF2-018	1
20	Lower oil pipe clamp	27WF2-010	1
21	Screw	21WF4-055	1
22	Rubble plug	22T1-017	2
23	Oil bag (rear)	27WF2-019	1
24	Oil box	27WF2-020	1
25	Screw	1WF3-009	2

## 4. Thread take-up assembly parts

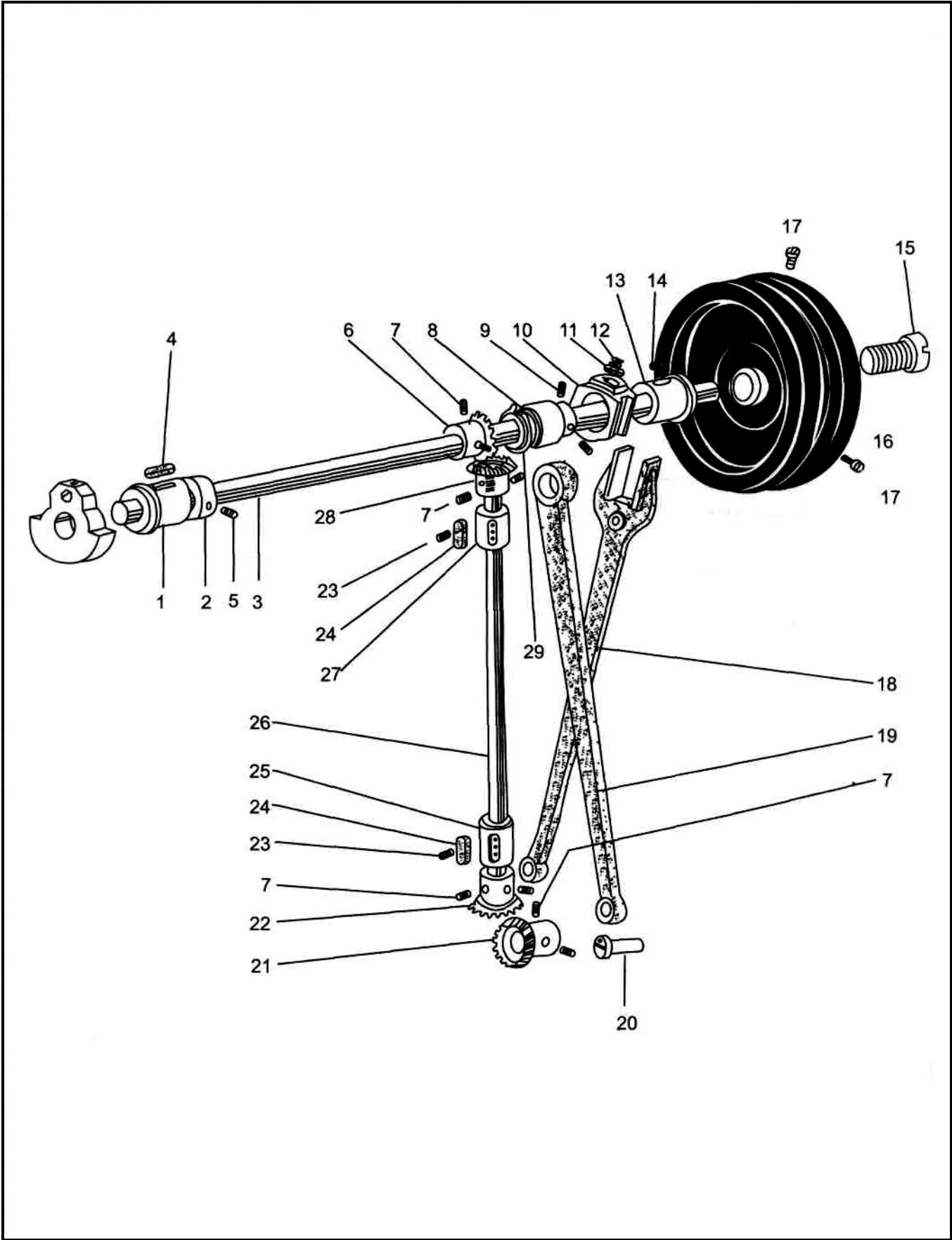




## 4. Thread take-up assembly parts

No.	Name	Parts No.	Qt.
1	Oil pad	22WF2-011	1
2	Oil felt	22T2-010	1
3	Needle bar upper bushing	27 WF1-003	1
4	Needle bar	29WF1-001	1
5	Needle bar connector	22T2-001A8	1
6	Screw	22T2-001A9	1
7	Needle bar lower bushing	27 WF 1-004	1
8	Thread ring	27T2-015	1
9	Needle		2
10	Screw	22T2-017	1
11	Oil wick		1
12	Screw	J0.0.5	1
13	Thread take-up lever shaft	27 WF 1-007	1
14	Thread take-up lever	29WF1-015	1
15	Position screw for needle bar crank pin	22T3-002B2	1
16	Set screw	22T2-030	1
17	Needle bar crank	27WF1-005	1
18	Position screw for needle bar crank	22T2-007	1
19	Set screw for needle bar crank	22T2-006	1
20	Sliding bushing assembly	27WF1-008	1
21	Oil wick		1
22	Pin	27WF1-030	1
23	Needle bar link	27WF1-009	1
24	Sliding block guide rail screw	22T2-019	2
25	Sliding block	22T2-020	1
26	Sliding block guide rail	22T2-018	1

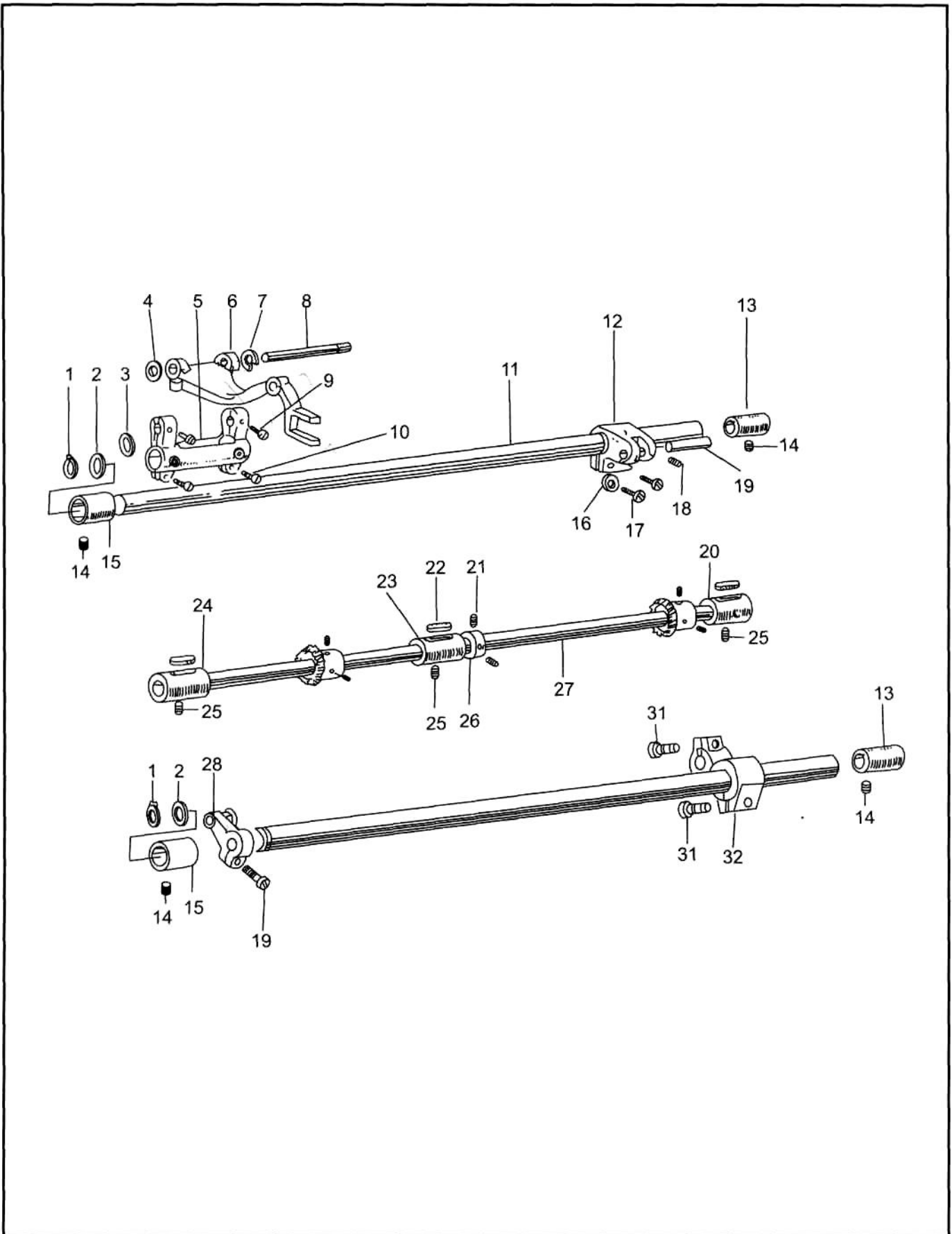
# 5. Upper shaft and vertical shaft parts



## 5. Upper shaft and vertical shaft parts

No.	Name	Parts No.	Qt.
1	Upper shaft bushing (left)	22WF1-011	1
2	Upper shaft collar	22T3-002B1	1
3	Upper shaft	27WF1-010	1
4	Oil felt	27WF1-012	1
5	Screw	22T3-002B2	2
6	Upper shaft bevel gear	22T3-010E2a1-2	1
7	Set screw	22T2-005B3	1
8	Feed cam	27WF3-013A	8
9	Screw	22T1-013	1
10	Sliding block	22T3-009D1a-2	1
11	Oil felt	33T2-015	1
12	Oil felt spring	33T2-016	1
13	Upper shaft bushing (right)	27WF1-013	1
14	Oil felt	22WF1-014	1
15	Screw	22T3-008	1
16	Balance wheel	27WF1-015A	1
17	Balance wheel screw	22T3-007C2	2
18	Feed drive fork connection	27WF3-014	1
19	Feed drive link	27WF3-013B	1
20	Pin	22T6-007	1
21	Upper shaft right bevel gear	22T3-010E2b1-2	1
22	Vertical shaft bevel gear (lower)	22T3-010E2b2-2	1
23	Screw	J0.0.40	2
24	Oil felt	27WF1-017B	1
25	Vertical shaft bushing (upper)	27WF1-018	1
26	Vertical shaft	27WF1-016	1
27	Vertical shaft bushing(upper)	27WF1-017A	1
28	Vertical shaft bevel gear (upper)	22T3-010E2a2-2	1
29	Retaining ring		1

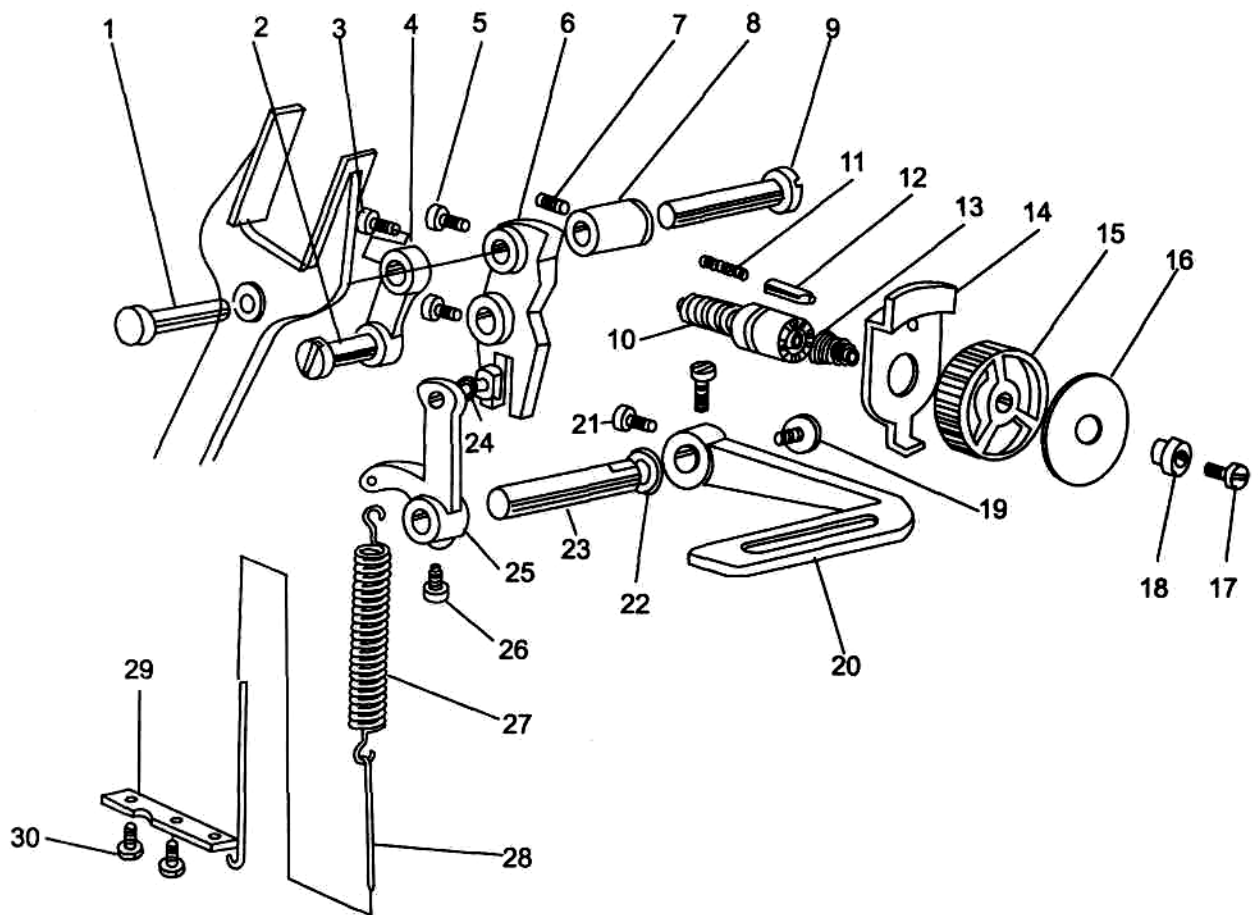
## 6. Feed drive lower shaft parts



## 6. Feed drive lower shaft parts

No.	Name	Parts No.	Qt.
1	Retaining ring for shaft		2
2	Washer	51T5-013	2
3	Washer	27WF3-006	1
4	Washer	27WF3-007	1
5	Feed crank(left)	27WF3-021A	1
6	Feed dog support	27WF3-021C	1
7	E-type retainer		1
8	Shaft for feed dog support crank	27WF3-021B	1
9	Screw	22T2-019	2
10	Screw	22T6-008D3	2
11	Feed drive shaft	27WF3-010	2
12	Feed crank	27WF3-019A	1
13	Feed shaft bushing (right)	27WF3-002	2
14	Screw	J.0.40	4
15	Feed shaft bushing(left)	27WF3-001	2
16	Washer		1
17	Screw	22T6-008D3	2
18	Screw	22T1-011	1
19	Pin	27WF3-020	1
20	Lower shaft bushing (left)	27WF1-020A	1
21	Screw	20T2-018	2
22	Oil felt	27WF1-017B	1
23	Lower shaft bushing (middle)	27WF1-017A	1
24	Lower shaft bushing (right)	27WF1-018	1
25	Set screw	01/B308	3
26	Collar	22T4-002B1	1
27	Upper shaft	27WF1-019	1
28	Feed drive crank (left)assembly	27WF3-023	1
29	Screw	22T6-008D3	1
30	Feed drive crank	27WF3-022A	1
31	Screw	22T6-001Alb	2

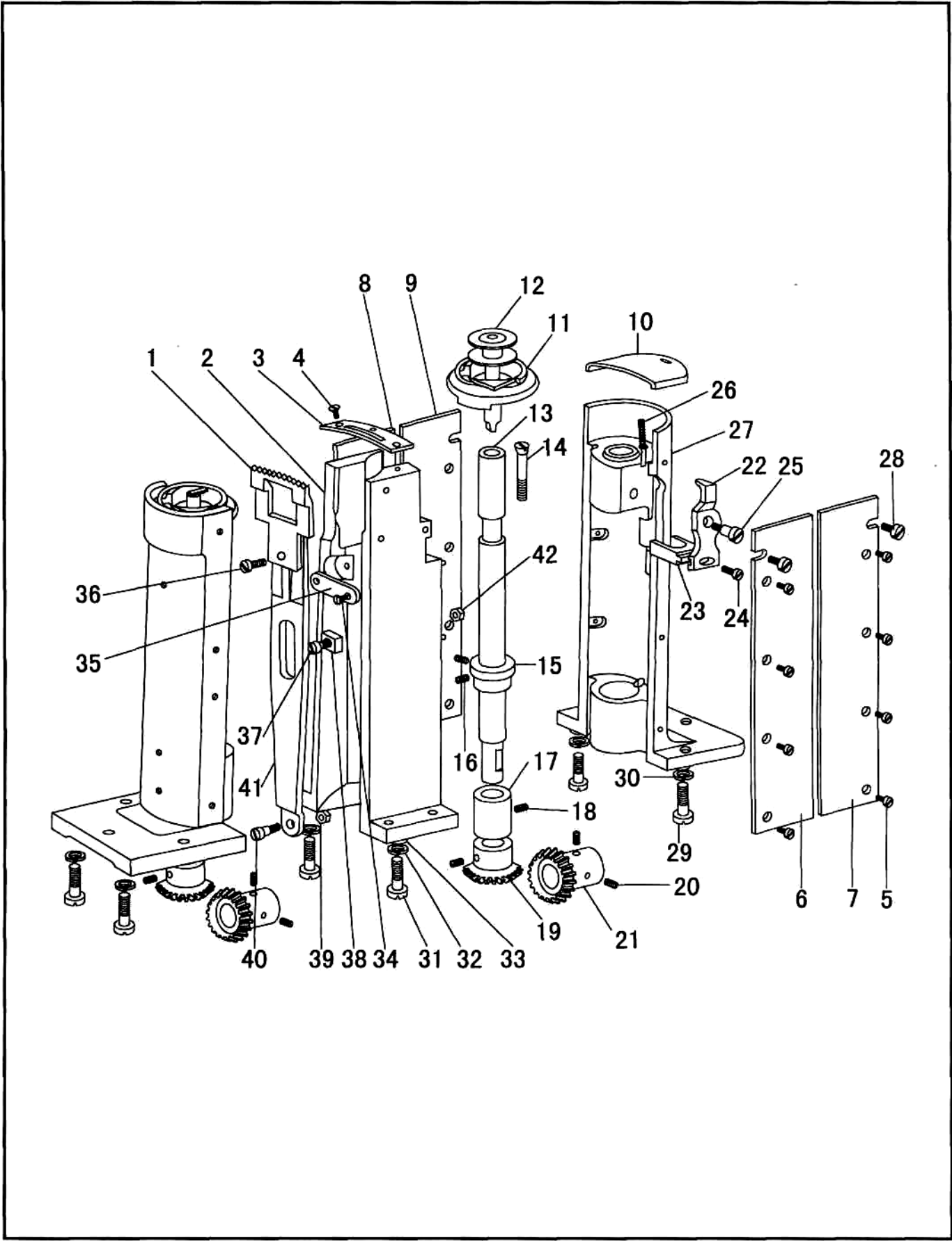
## 7. Stitch regulator parts



## 7. Stitch regulator parts

No.	Name	Parts No.	Qt.
1	Pin for feed drive fork connection	27WF3-011	1
2	Pin for stitch length connection	33T2-024-A	1
3	Screw	1WF2-038	1
4	Stitch regulator connecting link	22T5-001A2	1
5	Screw	1WF2-038	2
6	Swing lever for stitch regulator	22WF3-015A	1
7	Screw	J0.0.40	1
8	Swing lever hinge shaft bushing	27WF3-016	1
9	Pin for stitch regulator swing lever	22T5-004	1
10	Stitch length regulator screw	27WF3-018	1
11	Stop pin spring	22T5-009	1
12	Stop pin	36T5-012	1
13	Spring	36T5-011	1
14	Push plate	36T5-010	1
15	Dial cup	27WF3-004	1
16	Dial face	27WF3-003	1
17	Screw	27WF3-005	1
18	Screw bushing	36T5-007D4	1
19	Screw	22T5-010D3	1
20	Reverse feed control lever	27WF3-012B	1
21	Screw	1WF2-038	2
22	Reverse feed control lever washer	27WF3-012C	1
23	Short shaft for reverse feed control lever	27WF3-012A	1
24	Sliding block assembly	22T5-012E1a	1
25	Reverse feed control lever crank	22T5-012E1	1
26	Screw	22T5-013	1
27	Spring	27WF3-008A	1
28	Draw lever	27WF3-009	1
29	Draw lever bracket	27WF3-018	1
30	Screw	22T2-019	2

# 8. Post-bed parts

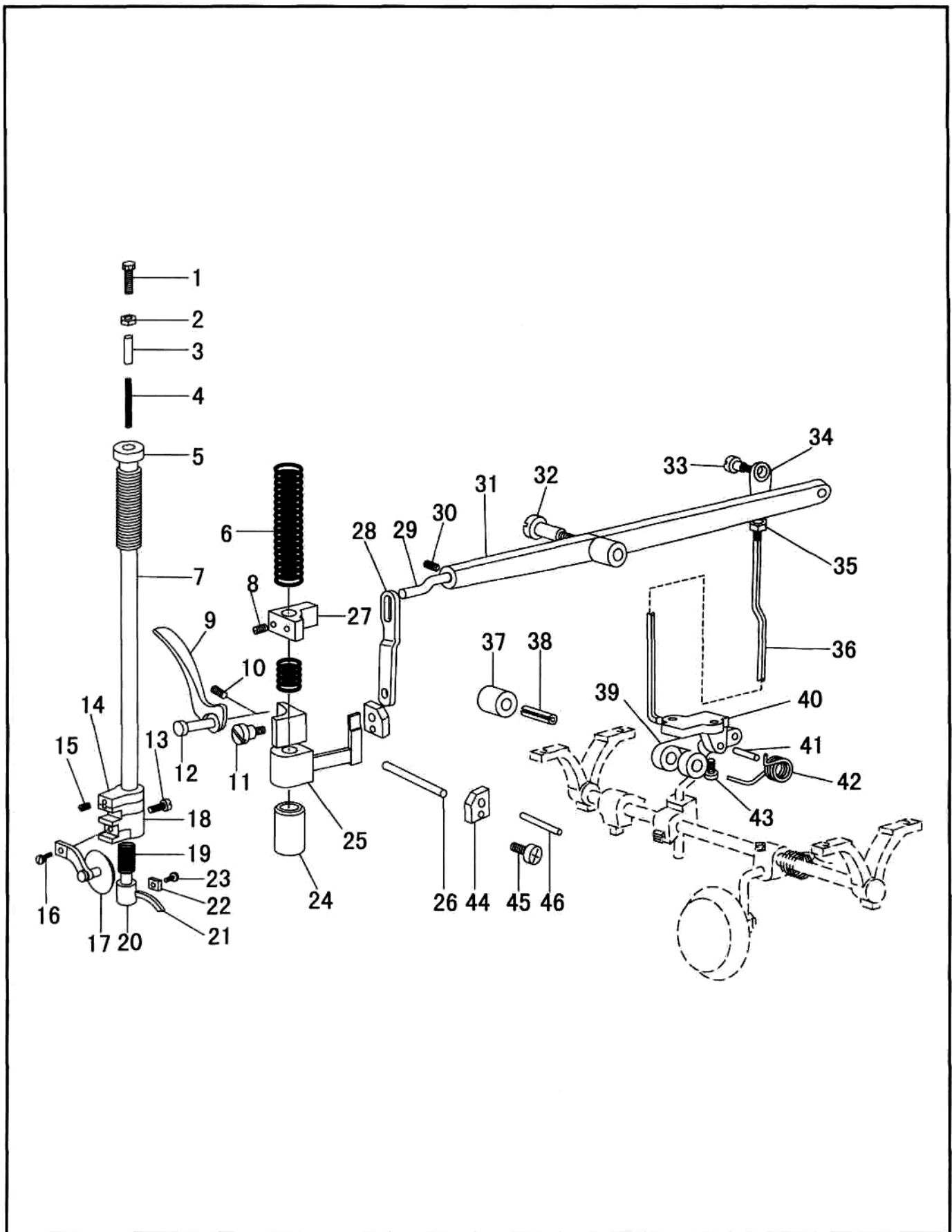




## 8.Post-bed parts

No.	Name	Parts No.	Qt.
1	Feed dog	25WF3-001	1
2	Post-bed	29WF-013	1
3	Needle plate	25WF-002	1
4	Screw	16WF2-027	2
5	Screw	16WF2-044	16
6	Cover of left post bed(front)	29WF-009	1
7	Cover of right post bed(front)	29WF-010	1
8	Cover of left post bed(rear)	29WF-011	1
9	Cover of right post bed(rear)	29WF-012	1
10	Retaining plate	16WF2-028	2
11	Rotary hook complete		2
12	Bobbin	16WF1-063	2
13	Hook shaft	27WF1-025	2
14	Screw	27 WF1-027	2
15	Collar	27WF1-026A	2
16	Screw	22T3-002B2	4
17	Hook shaft bushing	27 WF 1-024	2
18	Screw	16WF1-032	2
19	Gear(lower) of hook shaft	27WF1-023A	2
20	Screw	22T3-002B2	8
21	Gear of lower shaft	27WF1-022A	2
22	Hook positioning bracket	27WF1-028A	2
23	Swing fork	27WF1-028B	2
24	Position fork	7WF5-008	2
25	Screw	27WF1-029	2
26	Oil wick		2
27	Post bed	27WF2-023	2
28	Screw	27WF2-030	2
29	Screw	16WF3-031	4
30	Washer		4
31	Screw	7WF5-039	2
32	Spring washer		2
33	Washer		2
34	Screw	22T1-020	2
35	Retaining plate	27WF3-024	1
36	Screw	22T2-004	1
37	Screw	27WF2-026	1
38	Sliding block	27WF3-025	1
39	Nut	27WF3-021F	1
40	Screw	27WF3-021E	1
41	Feed plate	27WF3-021D	1
42	Nut	1WF2-074	1

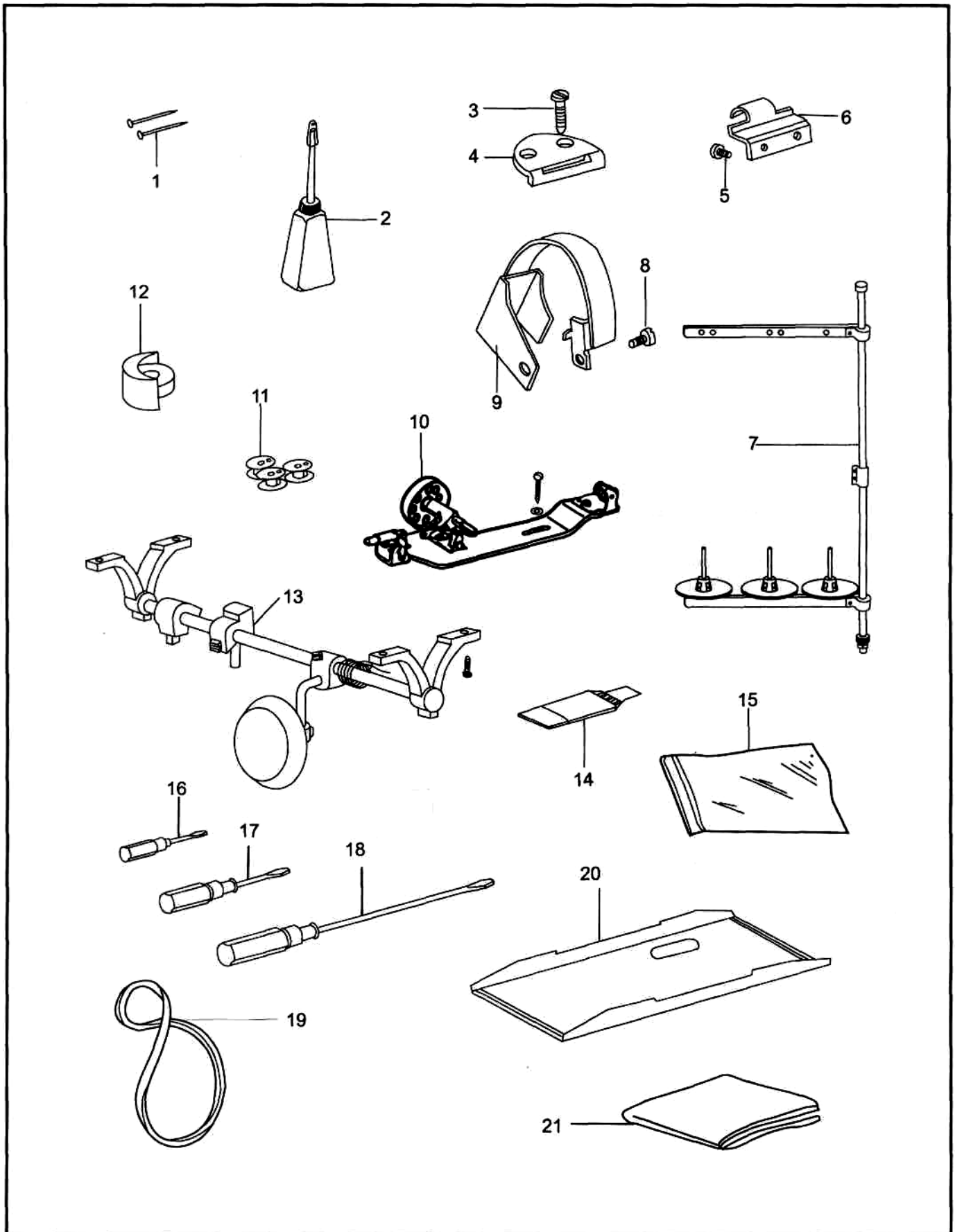
# 9. Presser foot parts



## 9. Presser foot parts

No.	Name	Parts No.	Qt.
1	Fine adjusting screw	27WF4-007	1
2	Nut	27WF4-008	1
3	Column	27WF4-002	1
4	Fine adjusting spring	7WF5-027	1
5	Screw for adjusting pressure	27WF4-006	1
6	Spring	27WF4-005	1
7	Presser bar	27WF4-001A	1
8	Screw for guide bracket	17T5-016	1
9	Presser foot lifter bar	27WF4-009	1
10	Screw	17T5-016	1
11	Screw	27WF4-010C	1
12	Pin	27WF4-004	1
13	Screw	27WF4-001F	2
14	Position block	27WF4-001C	1
15	Screw	22T1-013	1
16	Screw	27WF4-020	1
17	Roller presser foot complete	29WF2-016	1
18	Roller presser foot clamp	27WF4-001B	1
19	Spring	27WF4-001D	1
20	Aided presser foot bracket	25WF4-001	1
21	Aided presser foot	25WF4-002	1
22	Washer	25WF4-003	1
23	Screw	25WF4-004	1
24	Bushing	22T7-009	1
25	Lifting block	27WF4-010A	1
26	Thread releasing rob	27WF4-011	1
27	Guide bracket	27WF4-003	1
28	Connecting lever	27WF4-010B	1
29	Pin	27WF4-014B	1
30	Screw	01/B602	1
31	Knee lifter cutting lever	27WF4-014A	1
32	Screw	27WF4-015	1
33	Connecting screw	27WF4-018	1
34	Connector	27WF4-017	1
35	Nut	1WF2-074	1
36	Knee lifter drawing lever	27WF4-016	1
37	Gyro roller	27WF4-019A	1
38	Elastic pin		1
39	Crank	27WF4-019B	1
40	Crank bracket	27WF4-019C	1
41	Pin		1
42	Spring	27WF4-019D	1
43	Screw	28WF4-005	2
44	Connecting block	29WF-019	1
45	Screw	J0.0.50	1
46	Pin	29WF-019	1

# 10. Accessories



## 10. Accessories

No.	Name	Parts No.	Qt.
1	Screw for oil pan and cushion	33TF-004	8
2	Small oil pot	33TF-011	1
3	Screw for hinge case		4
4	Hinge case	16WF6-003	2
5	Screw for hinge	16WF6-004	1
6	Hinge	16WF6-002	2
7	F-type spool stand	1F-014	1
8	Screw	27WF5-005	2
9	Safety cover for belt	27WF5-004	1
10	Bobbin winder assembly	27F-002	1
11	Bobbin	16WF1-063	3
12	Cushion	16WF6-009	4
13	Knee lifter control assembly	27F-001	1
14	Needle DP X 5 16#		4
15	Parts bag	33TF-010	1
16	Screw driver (small)	33TF-014	1
17	Screw driver (medium)	33TF-013	1
18	Screw driver (big)	33TF-012	1
19	V-belt	27F-004	1
20	Oil pan	27WF5-002	1
21	Arm cover	13F-002	1