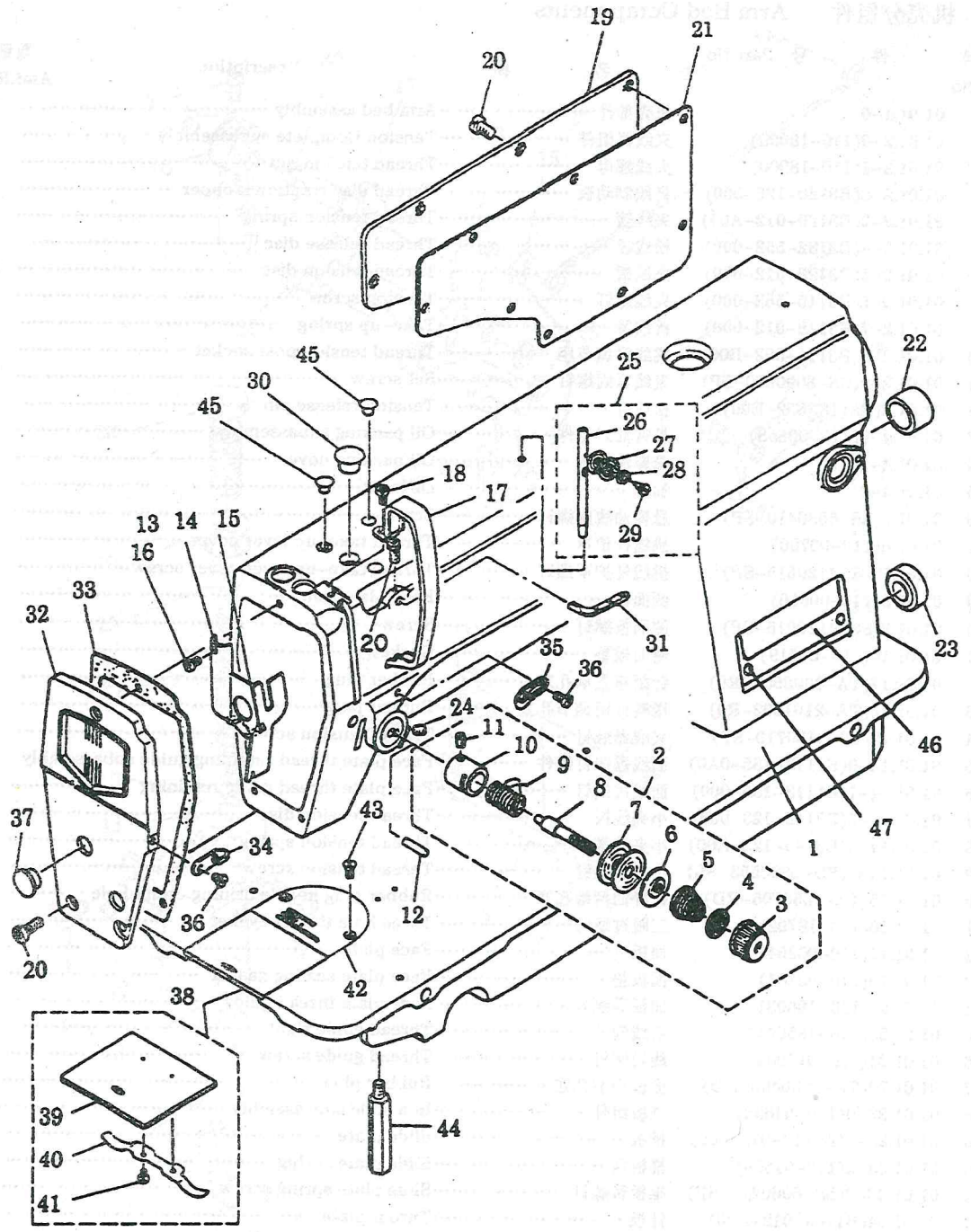


零件样本 Parts List
 GC8500、GC5550型 (中厚料用)
 Model GC8500、GC5550 (For Medium Heavy Materials)

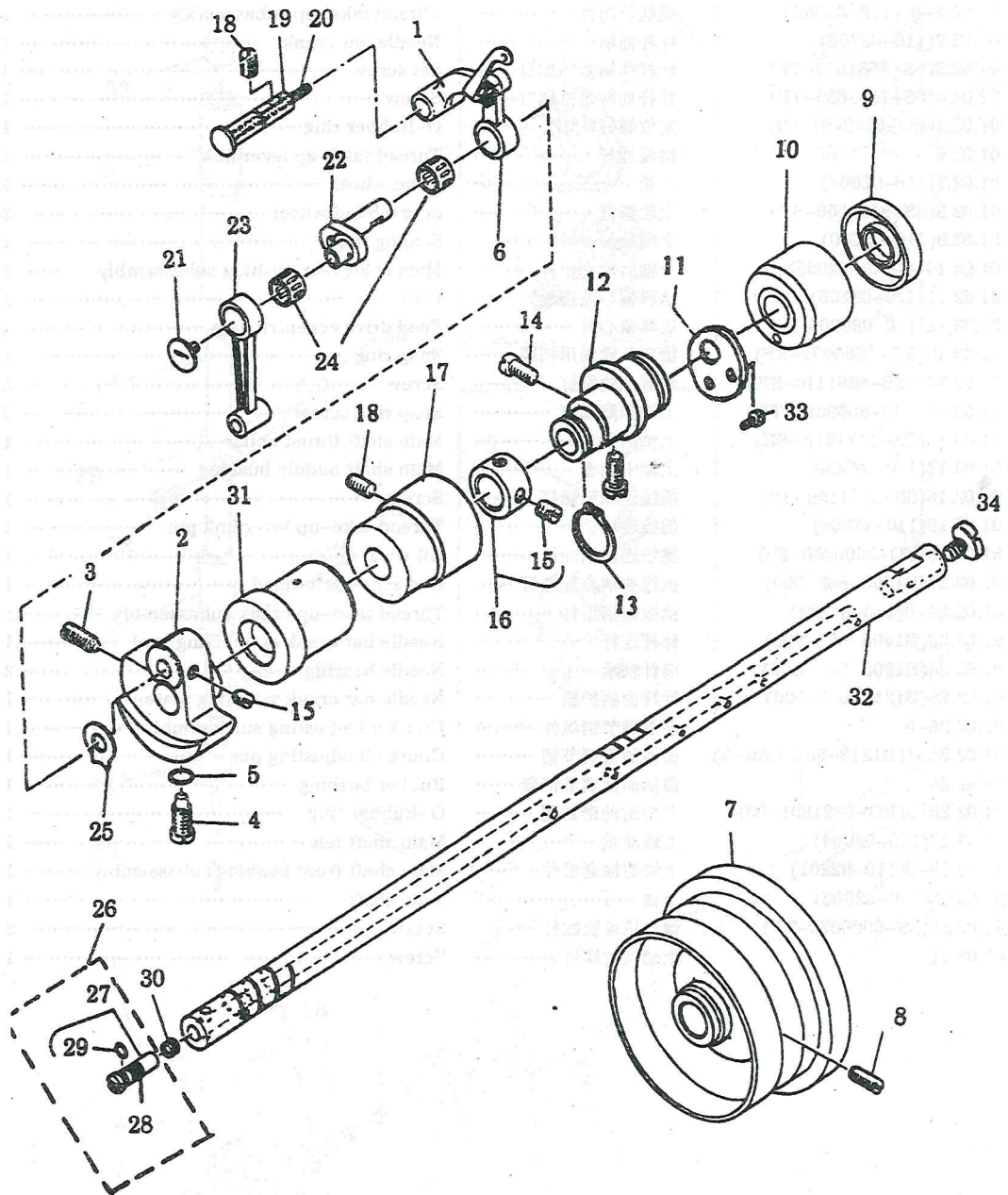
1. 机壳分组件 Arm Bed Components

序号 Ref.No.	件号 Part No.	名称 Description	数量 Amt. Req
1	01.01.1-0	机壳部件 Arm bed assembly	1
2	01.01.2-0(110-18959)	夹线器组件 Tension Complete subassembly	
3	01.01.2-1(110-18900)	夹线螺母 Thread tension nut.....	1
4	01.01.2-2(B3120-125-000)	夹线制动板 Thread disc rotation stopper	1
5	01.01.2-3(B3129-012-A00)	夹线簧 Thread tension spring	1
6	01.01.2-4(B3132-552-000)	松线板 Thread release disc	1
7	01.01.2-5(B3126-012-000)	夹线板 Thread tension disc	2
8	01.01.2-6(B3115-552-000)	夹线螺钉 Tension screw	1
9	01.01.2-7(B3128-012-000)	挑线簧 Take-up spring	1
10	01.01.2-8(B3111-552-B00)	挑线簧调节座 Thread tension post socket	1
11	01.01.2-9(SS-8090670-SP)	夹线紧固螺钉 Set screw	1
12	01.01.3(B3118-552-E00)	松线钉 Tension release pin	1
13	01.01.4-0(110-00858)	悬臂油封组件 Oil packing subassembly	1
14	01.01.4-1	悬臂油封罩 Oil packing cover	1
15	01.01.4-2	油线 Oil wick.....	1
16	01.01.5(SS-6080410-SP)	悬臂油线座螺钉 Screw.....	1
17	01.01.6(110-00700)	挑线杆护罩 Thread take-up lever cover.....	1
18	01.01.7(SS-4120615-SP)	挑线杆护罩螺钉 Thread take-up lever cover screw.....	1
19	01.01.8(110-00510)	侧面板 Face plate asm	1
20	01.01.9(SS-4120915-SP)	侧面板螺钉 Screw.....	8
21	01.01.10(110-00619)	侧面板垫 Gasket	1
22	01.01.11(TA-2000502-R0)	针距座支承孔塞 Rubber plug.....	1
23	01.01.12(TA-2101002-R0)	送料针距调节孔塞 Rubber plug.....	1
24	01.01.13(SS-8150710-SP)	夹线器螺钉 Thread tension screw	1
25	01.01.14-0(B1113-155-0A0)	面线过线钉组件 Face plate thread retaining guide subassembly	
26	01.01.14-1(B1113-155-000)	面线过线钉 Face plate thread guide retaining	1
27	01.01.14-2(B3148-123-000)	小夹线板 Thread tension disc	2
28	01.01.14-3(B3149-123-A00)	小夹线簧 Thread tension spring	1
29	01.01.14-4(SD-0380552-SL)	小夹线螺钉 Thread tension screw	1
30	01.01.15(TA-1250705-RD)	针杆曲柄螺孔塞 Rubber plug needle drining crank hole	1
31	01.01.16(110-18702)	三眼过线勾 Three hole thread eyeket	1
32	01.01.17(110-00254)	面板 Face plate	1
33	01.01.18(110-00304)	面板垫 Face plate sealing gasket	1
34	01.01.19(110-18603)	面板导线勾 Face plate thread guide	1
35	01.01.20(110-18504)	右线勾 Thread guide right	1
36	01.01.21(110-01500)	线勾螺钉 Thread guide screw	2
37	01.01.22(TA-1250406-RO)	面板调节孔塞 Rubber plug	2
38	01.01.23-0(110-01658)	推板组件 Bed slide subassembly	
39	01.01.23-1(B1110-012-000)	推板 Slide plate	1
40	01.01.23-2(110-01609)	推板簧 Slide plate spring	1
41	01.01.23-3(SS-6060210-SP)	推板簧螺钉 Slide plate spring screw	2
42	01.01.24(B1109-012-A00)	针板 Throat plate	1
43	01.01.25(SS-2110920-TP)	针板螺钉 Throat plate screw	2
44	01.01.26(110-01104)	底板螺栓 Bed screw stud	4
45	01.01.27(TA-0850604-RD)	挑战连杆销孔塞 Rubber plug thread take-up lever link pin hole...2	
46	01.01.28	型号牌 Brand plate	1
47	01.01.29	型号牌铆钉 Brand plate rivet	2



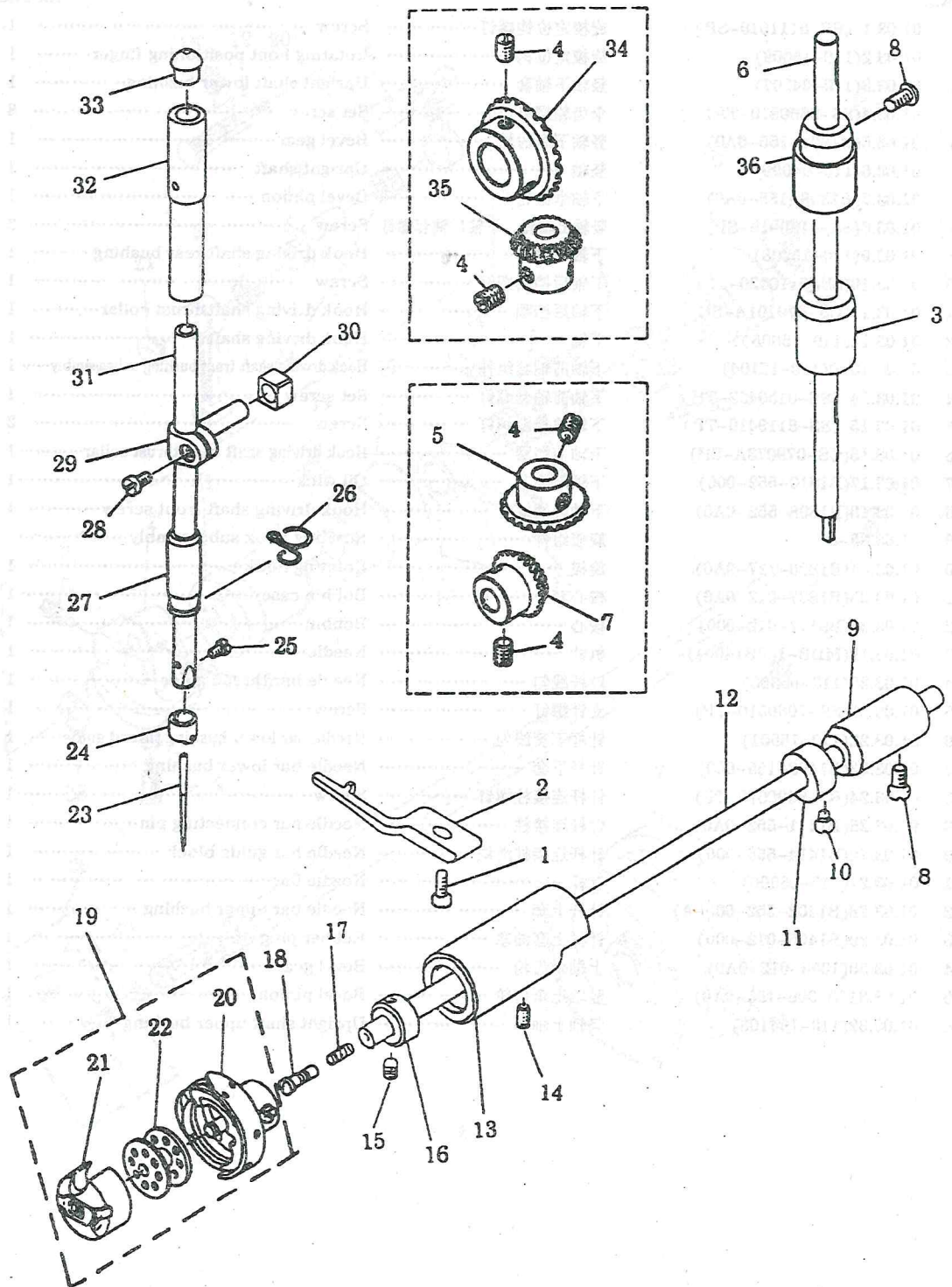
2. 上轴、挑线分组件 Main Shaft Thread Take-up Components

序号 Ref.No.	件 号 Part No.	名 称	Description	数量 Amt. Req
1	01.02.1-0 (110-39062)	挑线杆组件.....	Thread take-up subassembly	1
2	01.02.2(110-02706)	针杆曲柄.....	Needle bar crank	1
3	01.02.3(SS-8681650-TP)	针杆曲柄紧固螺钉.....	Set screw	1
4	01.02.4(SS-7681650-TP)	针杆曲柄定位螺钉.....	Screw	1
5	01.02.5(RO-0442401-00)	定位螺钉O型圈.....	O-Rubber ring.....	1
6	01.02.6	挑线连杆.....	Thread take-up lever link	1
7	01.02.7(110-02607)	上轮.....	Hand wheel	1
8	01.02.8(SS-8151550-SP)	上轮螺钉.....	Screw,hand wheel	2
9	01.02.9(110-02580)	上轴油封.....	Sealing ring	1
10	01.02.10-0(110-02805)	上轴后轴套组件.....	Main shaft rear bushing subassembly	1
11	01.02.11(110-08109)	送料偏心轮盖板.....	Plate	1
12	01.02.12(110-08000)	送料偏心轮.....	Feed drive eccentric cam	1
13	01.02.13(RC-1850001-RP)	抬牙凸轮轴用挡圈.....	Snap ring	1
14	01.02.14 (SS-6661110-SP)	送料凸轮螺钉.....	Screw	2
15	01.02.15 (SS-8660610-TR)	上轴挡圈螺钉.....	Snap ring screw	2
16	01.02.16(CS-147121A-SH)	上轴挡圈.....	Main shaft thrust collar.....	1
17	01.02.17(110-02300)	上轴中轴套.....	Main shaft middle bushing	1
18	01.02.18(SS-8151150-SP)	挑线连杆销螺钉.....	Screw.....	1
19	01.02.19(110-17209)	挑线连杆销.....	Thread take-up lever link pin	1
20	01.02.20(CQ-3500000-F0)	挑线连杆销油线.....	Oil wick.....	1
21	01.02.21(B1903-552-000)	挑线曲柄左旋螺钉.....	End screw,left-hand	1
22	01.02.22-0(110-05204)	挑线曲柄组件.....	Thread take-up crank subassembly	1
23	01.02.23(B1408-552-000)	针杆连杆.....	Needle bar crank connecting rool	1
24	01.02.24(B1905-541-B00)	滚针轴承.....	Needle bearing	2
25	01.02.25(B1212-552-000)	针杆曲柄护板.....	Needle bar crank wearing plate.....	1
26	01.02.26-0	油量调节销组件.....	Crank oil adjusting subassembly.....	1
27	01.02.26-1(B1213-552-0A0-A)	曲柄油量调节销.....	Crank oil adjusting pin	1
28	01.02.26-2	曲柄油量调节销套.....	Rubber bushing	1
29	01.02.26-3(RO-0291801-00)	O型耐油密封圈.....	O-Rubber ring	1
30	01.02.27(110-02904)	上轴油毡.....	Main shaft felt	1
31	01.02.28-0(110-02201)	上轴前轴套组件.....	Main shaft front bushing subassembly	1
32	01.02.29(110-02003)	上轴.....	main shaft	1
33	01.02.30(SS-6090670-TP)	偏心轮盖板螺钉.....	Screw	2
34	01.02.31	上轴轴端螺钉.....	Screw	1



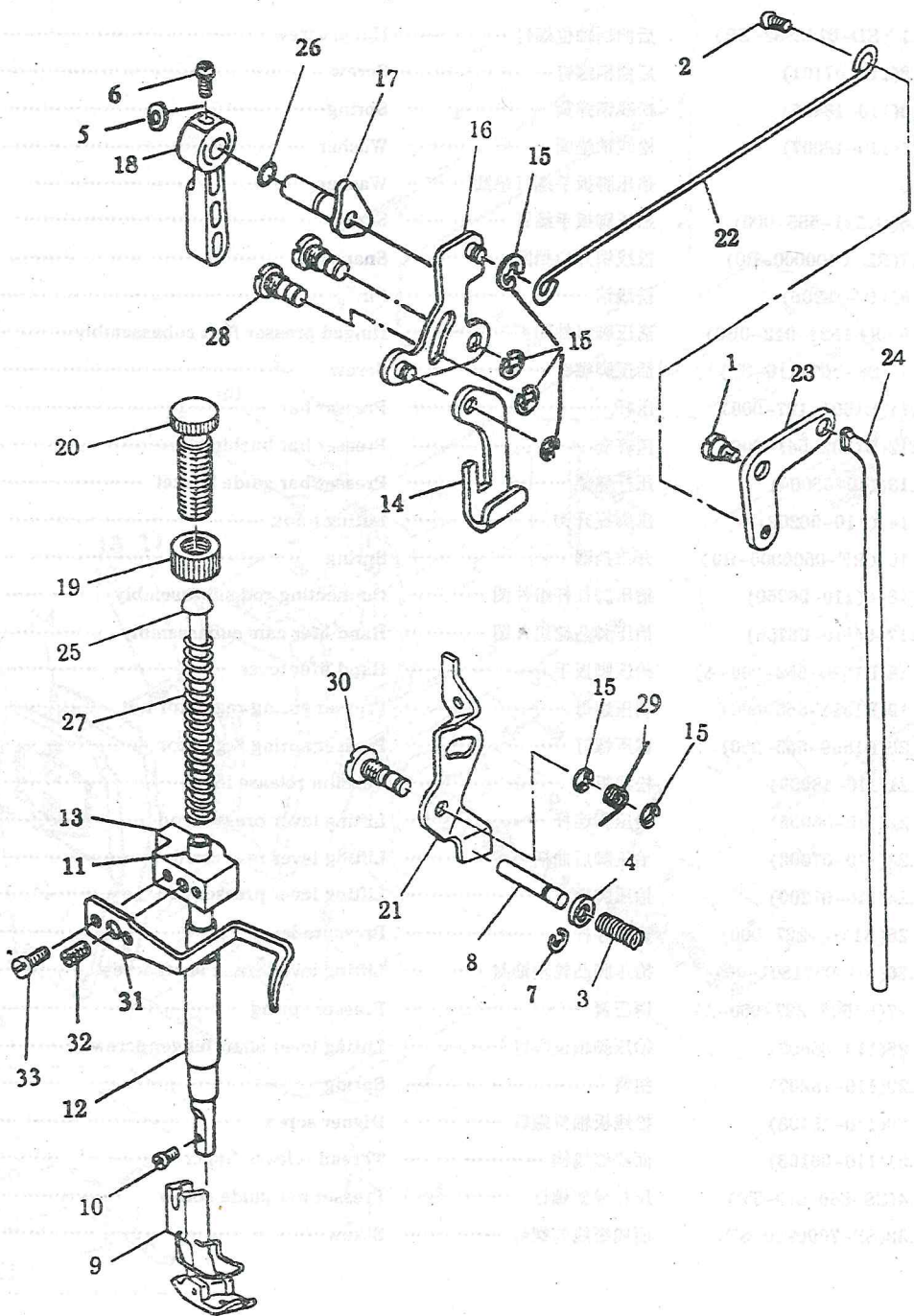
3. 刺料、钩线分组件 Fabric-Picrcing Mook Driving Components

序号 Ref.No.	件 号 Part No.	名 称	Description	数量 Amt.Req
1	01.03.1 (SS-6111010-SP)	旋梭定位钩螺钉	Screw	1
2	01.03.2(110-15609)	旋梭定位钩	Rotating hoot positioning finger	1
3	01.03.3(110-04207)	竖轴下轴套	Upright shaft lower bushing	1
4	01.03.4(SS-8660810-TP)	伞齿轮螺钉	Set screw	8
5	01.03.5(B1307-155-0A0)	竖轴下伞齿轮	Bevel gear	1
6	01.03.6(110-04009)	竖轴	Upright shaft	1
7	01.03.7(B1308-155-0A0)	下轴伞齿轮	Bevel pinion	1
8	01.03.8(SS-4120915-SP)	竖轴上轴套、下轴后轴套螺钉	Screw	2
9	01.03.9(110-15203)	下轴后轴套	Hook driving shaft rear bushing	1
10	01.03.10(SS-6110420-TP)	下轴后挡圈螺钉	Screw	1
11	01.03.11(CS-079101A-SH)	下轴后挡圈	Hook driving shaft thrust collar	1
12	01.03.12(110-15005)	下轴	Hook driving shaft	1
13	01.03.13-0(110-15104)	下轴前轴套组件	Hook driving shaft front bushing subassembly	1
14	01.03.14 (SS-8150432-TH)	下轴前轴套螺钉	Set screw	1
15	01.03.15 (SS-8110410-TP)	下轴前挡圈螺钉	Screw	2
16	01.03.16(CS-079073A-SH)	下轴前挡圈	Hook driving shaft front thrust collar	1
17	01.03.17(B1810-552-000)	下轴限油芯	Oil wick	1
18	01.03.18(B1808-552-0A0)	下轴限油螺钉	Hook driving shaft front screw	1
19	01.03.33-0	旋梭组件	Rotating hook subassembly	
20	01.03.34(B1830-127-0A0)	旋梭	Rotating hook	1
21	01.03.35(B1837-012-0A0)	梭心套	Bobbin case	1
22	01.03.36(B9117-012-000)	梭心	Bobbin	1
23	01.03.19(MDB-100B1400)	机针	Needle	1
24	01.03.20(110-05303)	针杆线勾	Needle bar thread guide	1
25	01.03.21(SS-7080510-TP)	支针螺钉	Screw	1
26	01.03.22(110-18801)	针杆下套线勾	Needle bar lower bushing thread guide	1
27	01.03.23(B1403-155-000)	针杆下套	Needle bar lower bushing	1
28	01.03.24(SS-6090670-TP)	针杆连接柱螺钉	Screw	1
29	01.03.25(B1411-552-0A0)	针杆连接柱	Needle bar connecting pin	1
30	01.03.26(B1414-555-000)	针杆连接柱滑块	Needle bar guide block	1
31	01.03.27(110-05006)	针杆	Needle bar	1
32	01.03.28(B1402-552-000-A)	针杆上套	Needle bar upper bushing	1
33	01.03.29(B1405-012-000)	针杆上套油塞	Rubber plug	1
34	01.03.30(1305-012-0A0)	上轴伞齿轮	Bevel gear	1
35	01.03.31(B1306-155-0A0)	竖轴上伞齿轮	Bevel pinion	1
36	01.03.32(110-104108)	竖轴上轴套	Upright shaft upper bushing	1



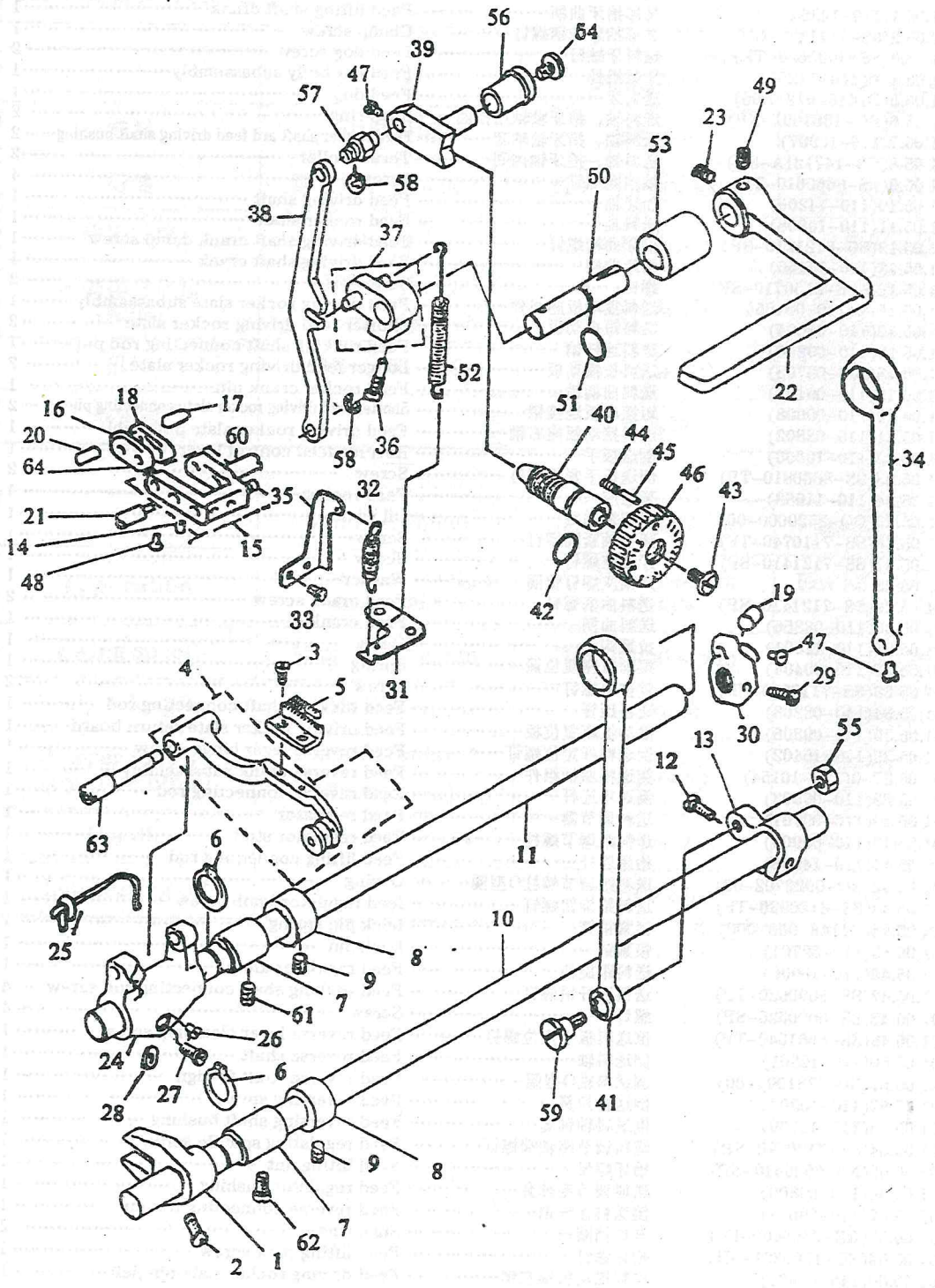
4. 压料分组件 Presser Bar Components

序号 Ref.No.	件号 Part No.	名称	Description	数量 Amt. Req
1	01.04.1 (SD-0720332-SP)	后曲柄轴位螺钉	Hinge screw	1
2	01.04.2(110-07101)	后曲柄螺钉	Screw	1
3	01.04.3(110-18405)	松线销弹簧	Spring	1
4	01.04.4(110-19007)	松线销垫圈	Washer	1
5	01.04.5	拾压脚扳手螺钉垫圈	Washer	1
6	01.04.6(B1521-555-000)	拾压脚扳手螺钉	Screw	1
7	01.04.7(RE-0400000-R0)	松线销开口挡圈	Snap ring	1
8	01.04.8(110-18306)	松线销	Pin	1
9	01.04.9-0(B1524-012-0B0)	活压脚组件图	Hinged presser foot subassembly	1
10	01.04.10(SS-7091110-SP)	活压脚螺钉	Screw	1
11	01.04.11(B1501-127-000)	压杆	Presser bar	1
12	01.04.12(B1502-541-000)	压杆套	Presser bar bushing	1
13	01.04.13(110-06004)	压杆导架	Presser bar guide braket	1
14	01.04.14 (110-06202)	压脚提升钩	Lifting hook	1
15	01.04.15 (RE-0500000-R0)	开口挡圈	Spring	6
16	01.04.16-0(110-06350)	拾压脚扛杆组件图	Connecting rod subassembly	1
17	01.04.17-0(110-06756)	拾压脚凸轮组件图	Hand lifer cam subassembly	1
18	01.04.18(B1520-552-000-A)	拾压脚扳手	Hand lifer lever	1
19	01.04.19(B1511-555-000)	调压螺母	Presser spring regulator nut	1
20	01.04.20(B1509-555-000)	调压螺钉	Presser spring regulator	1
21	01.04.21(110-18009)	松线板	Tension release lever	1
22	01.04.22(110-06905)	拾压脚连杆	Lifting lever presser rod	1
23	01.04.23(110-07002)	拾压脚后曲柄	Lifting lever rear crank	1
24	01.04.24(110-07200)	拾压脚顶杆	Lifting lever presser rod	1
25	01.04.25(B1510-227-000)	调压导杆	Pressure lever	1
26	01.04.26(RO-0371801-00)	拾压脚凸轮轴油封	Lifting lever crank shaft screw	1
27	01.04.27(B1505-227-000-A)	调压簧	Presser spring	1
28	01.04.28(110-06509)	拾压脚轴位螺钉	Lifting lever shaft hinger screw	1
29	01.04.29(110-18207)	扭簧	Spring	1
30	01.04.30(110-18108)	松线板轴位螺钉	Higner screw	1
31	01.04.31(110-06103)	面线缓线钩	Thread release finger	1
32	01.03.4(SS-8660810-TP)	压杆导架螺钉	Presser bar guide screw	1
33	01.04.32(SS-7090910-SP)	面线缓线勾螺钉	Screw	1



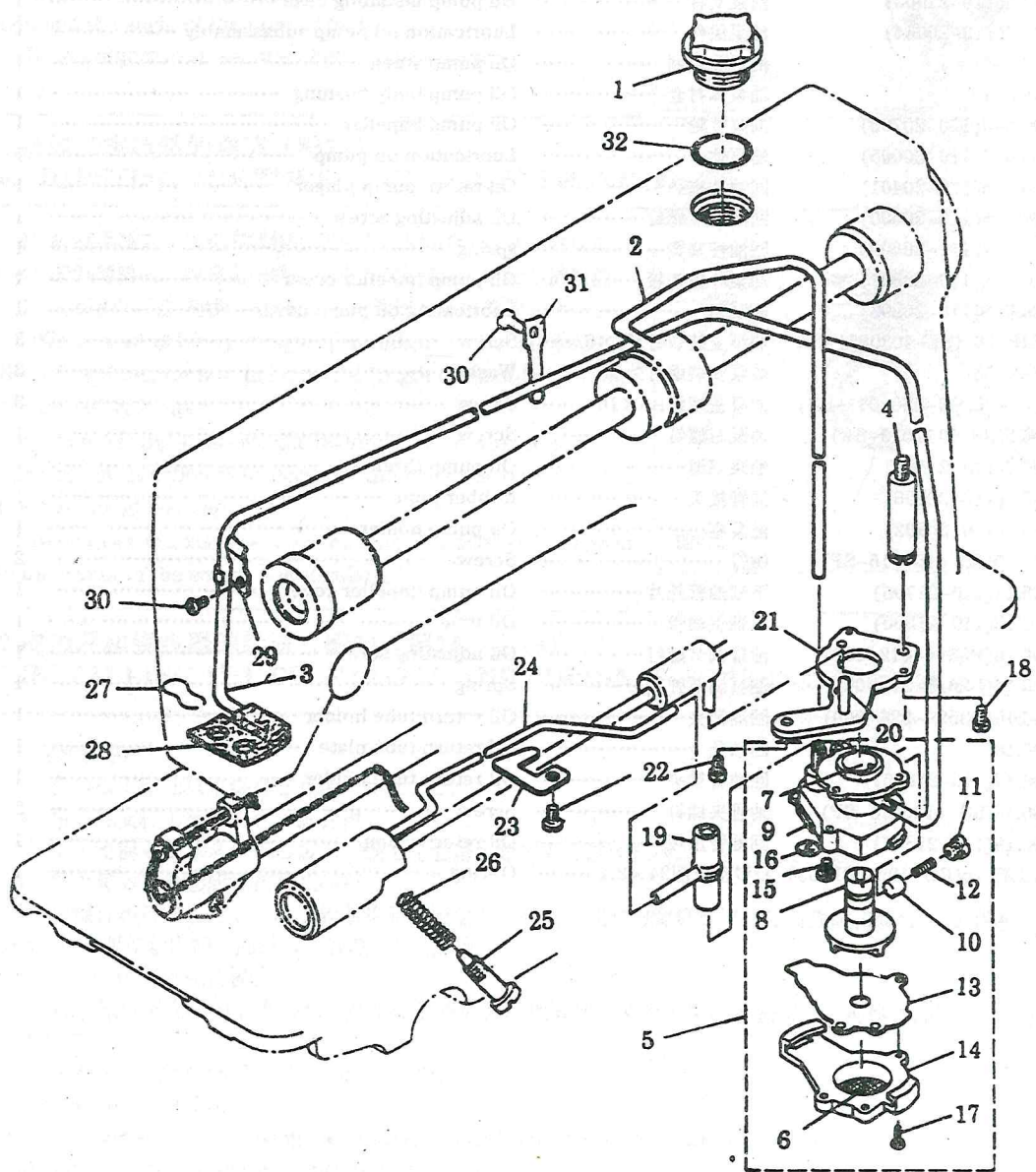
5. 送料分组件 Feed Mechanism components

序号 Ref.No.	件号 Part No.	名称	Description	数量 Amt.Req
1	01.05.1(110-14354)	叉形拾牙曲柄	Feed lifting shaft crank	1
2	01.05.2(SS-7111120-SP)	叉形拾牙曲柄螺钉	Clamp screw	1
3	01.05.3(SS-4080620-TP)	送料牙螺钉	Feed dog screw	2
4	01.05.4-0(110-11251)	牙架组件	Feed bar body subassembly	1
5	01.05.5(B1613-012-A00)	送料牙	Feed dog	1
6	01.05.6(RC-1381001-KP)	送料轴、拾牙轴轴用挡圈	Snap ring	2
7	01.05.7(110-10907)	送料轴、拾牙轴轴套	Feed rocker shaft and feed driving shaft bushing	2
8	01.05.8(CS-147121A-SH)	送料轴、拾牙轴挡圈	Thrust collar	2
9	01.05.9(SS-8660610-TP)	轴挡圈螺钉	Screw	4
10	01.05.10(110-14206)	拾牙轴	Feed driving shaft	1
11	01.05.11(110-10808)	送料轴	Feed rocker shaft	1
12	01.05.12(SS-6121210-SP)	拾牙曲柄螺钉	Feed driving shaft crank damp screw	1
13	01.05.13(110-14156)	拾牙曲柄	Feed driving shaft crank	1
14	01.05.14(SS-8150710-SP)	螺钉	Screw	2
15	01.05.15-0(110-08455)	送料摆动板座组件	Feed driving rocker slate subassembly	1
16	01.05.16(110-08604)	送料短摆动板	Shorter feed driving rocker slate	2
17	01.05.17(110-09206)	送料连杆销	Feed rocking shaft connecting rod pin	1
18	01.05.18(110-08703)	送料长摆动板	Longer feed driving rocker slate	2
19	01.05.19(110-09107)	送料曲柄销	Feed rocker crank pin	1
20	01.05.20(110-09008)	短摆动板连接销	Shorter feed driving rocker slate connecting pin	2
21	01.05.21(110-08802)	送料摆动板座右销	Feed driving rocker slate pin, right	1
22	01.05.22(110-10600)	倒送扳手	Reverse feed control lever	1
23	01.05.23(SS-8660810-TP)	倒送扳手紧固螺钉	Screw	2
24	01.05.24(110-11053)	牙架座	Feed rocker	1
25	01.05.25(CQ-2520000-00)	牙架轴油线	Oil wick	1
26	01.05.26(SS-7110740-TP)	牙架轴紧固螺钉	Screw	1
27	01.05.27(SS-7121410-SP)	牙架座螺钉	Screw	1
28	01.05.28	牙架座螺钉垫圈	Washer	1
29	01.05.29(SS-7121410-SP)	送料曲柄螺钉	Feed crank screw	2
30	01.05.30(110-08356)	送料曲柄	Feed crank	1
31	01.05.31(110-11301)	拉簧钩	Guide	1
32	01.05.32(110-09404)	摆动板座复位簧	Spring	1
33	01.05.33(SS-7110510-SP)	复位板螺钉	Screw	2
34	01.05.34(110-08208)	送料连杆	Feed rocking shaft connecting rod	1
35	01.05.35(110-09305)	摆动板座复位板	Feed driving rocker slate return board	1
36	01.05.36(110-10402)	倒送料杆定位螺钉	Feed reverse lever hinge screw	1
37	01.05.37-0(110-10154)	倒送料曲柄组件	Feed reverse crank subassembly	1
38	01.05.38(110-09503)	倒送料连杆	Feed reverse connecting rod	1
39	01.05.39(110-09701)	送料调节器	Feed regulator	1
40	01.05.40(110-09909)	送料距调节螺钉	Feed regulator stud	1
41	01.05.41(110-14008)	拾牙连杆	Feed lifting connecting rod	1
42	01.05.42(RO-0922702-00)	送料距调节螺钉O型圈	O-ring	1
43	01.05.43(SS-6120930-TP)	送料距旋扭螺钉	feed regulator knob screw	1
44	01.05.44(B1148-555-000)	锁紧销簧	Lock pin spring	1
45	01.05.45(110-52701)	锁紧销	Lock pin	1
46	01.05.46(110-10006)	送料距旋扭	Feed regulator knob	1
47	01.05.47(SS-6090620-TP)	送料连杆销螺钉	Feed rocking shaft connecting rod screw	4
48	01.05.48(SS-6090620-SP)	螺钉	Screw	4
49	01.05.49(SS-8661040-TP)	倒送料扳手定位螺钉	Feed reverse lever clamping screw	1
50	01.05.50(110-10501)	倒送料轴	Feed reverse shaft	1
51	01.05.51(RO-0781901-00)	倒送料轴O型圈	Feed reverse shaft O-ring	1
52	01.05.52(110-10303)	倒送料拉簧	Feed reversing spring	1
53	01.05.53(110-10709)	倒送料轴轴套	Feed reversing shaft bushing	1
54	01.05.54(SS-7120770-SH)	送料调节座轴端螺钉	Feed regulating spindle screw	1
55	01.05.55(NS-6680410-SP)	拾牙螺母	Feed lifting nut	1
56	01.05.56(110-09800)	送料调节座轴套	Feed regulator bushing	1
57	01.05.57(110-09602)	倒送料连杆销	Feed reverse connecting rod pin	1
58	01.05.58(RE-0500000-K0)	开口挡圈	Snap ring	2
59	01.05.59(SD-1000801-SH)	拾牙螺钉	Feed lifting rock screw	1
60	01.05.60(110-08901)	送料摆动板座右销	Feed driving rocker slate pin, left	1
61	01.05.61((SS-8150432-TH)	送料轴轴套螺钉	Feed rocker shaft, bushing screw	1
62	01.02.62(SS-4120915-SP)	拾牙轴轴套螺钉	Feed lifting shaft, bushing screw	1
63	01.05.63(110-11103)	牙架轴	Feed holder shaft	1

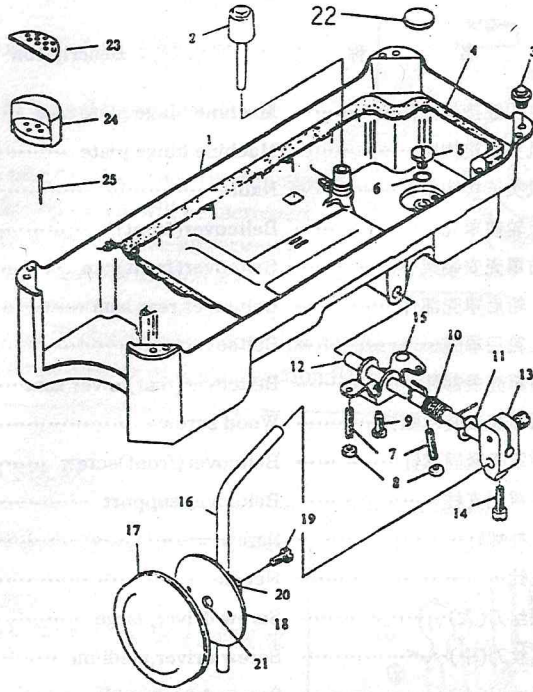


6. 润滑分组件 Lubrication Components

序号 Ref.No.	件号 Part No.	名称	Description	数量 Amt. Req
1	01.06.1 (B3530-555-000)	油窗	Oil sight window	1
2	01.06.2(110-21201)	上轴供油管	Main shaft oil tube	1
3	01.06.3(110-21151)	回油管	Oil return tube holdetr	1
4	01.06.4(110-21003)	油泵支柱	Oil pump installing base	1
5	01.06.5(110-20054)	油泵组件	Lubrication oil pump subassembly	1
6	01.06.5-1	油泵除尘网	Oil pump sreen	1
7	01.06.5-2	油泵体衬套	Oil pump body bushing	1
8	01.06.5-3(110-20708)	油泵叶轮	Oil pump impeller	1
9	01.06.5-4(110-20005)	油泵体	Lubrication oil pump	1
10	01.06.5-5(110-20401)	回油柱塞	Oil return pump pluger	1
11	01.06.5-6(110-20500)	回油调节螺钉	Oil adjusting screw	1
12	01.06.5-7(110-20609)	回油柱塞簧	spring	1
13	01.06.5-8(110-20807)	油泵叶轮托板	Oil pump impeller cover	1
14	01.06.5-9(110-20203)	油泵盖	Lubricating oil pump cover	1
15	GB818-76 (SL-4030851-SR)	油泵安装螺钉M3×8	Screw	3
16	GB862-76	油泵安装螺钉垫圈3	Washer	3
17	GB845-76(SE-4301041-SR)	油泵盖螺钉A3×10	Screw	3
18	01.06.6(SS-6111010-SR)	油泵右螺钉	Screw	1
19	01.06.7(110-21409)	油泵三通	Oil pump three way	1
20	01.06.8(110-20906)	油管接头	Rubber joint	1
21	01.06.9(110-20302)	油泵座	Oil pump holder	1
22	01.06.10(SS-4150915-SP)	螺钉	Screw	2
23	01.06.11(110-21706)	下轴油管托片	Oil pump impeller cover	1
24	01.06.12(110-21300)	下轴供油管	Oil tube	1
25	01.06.13(B3514-412-000)	油量调节螺钉	Oil adjusting screw	1
26	01.06.14(B2616-372-00)	油量调节弹簧	Spring	1
27	01.06.15(B3529-226-000)	回油毡夹	Oil return tube holder	1
28	01.06.16	回油毡	Oil return tube plate	1
29	01.06.17(110-21805)	回油管管夹	Oil return tube holder	1
30	01.06.18(SS-4120615-SP)	油管夹螺钉	Screw	2
31	01.06.19(110-21607)	回油管压板	Oil return clamp	1
32	GB1235-76(RO-1952401-00)	O型密封圈24×2.4	O-ring	1



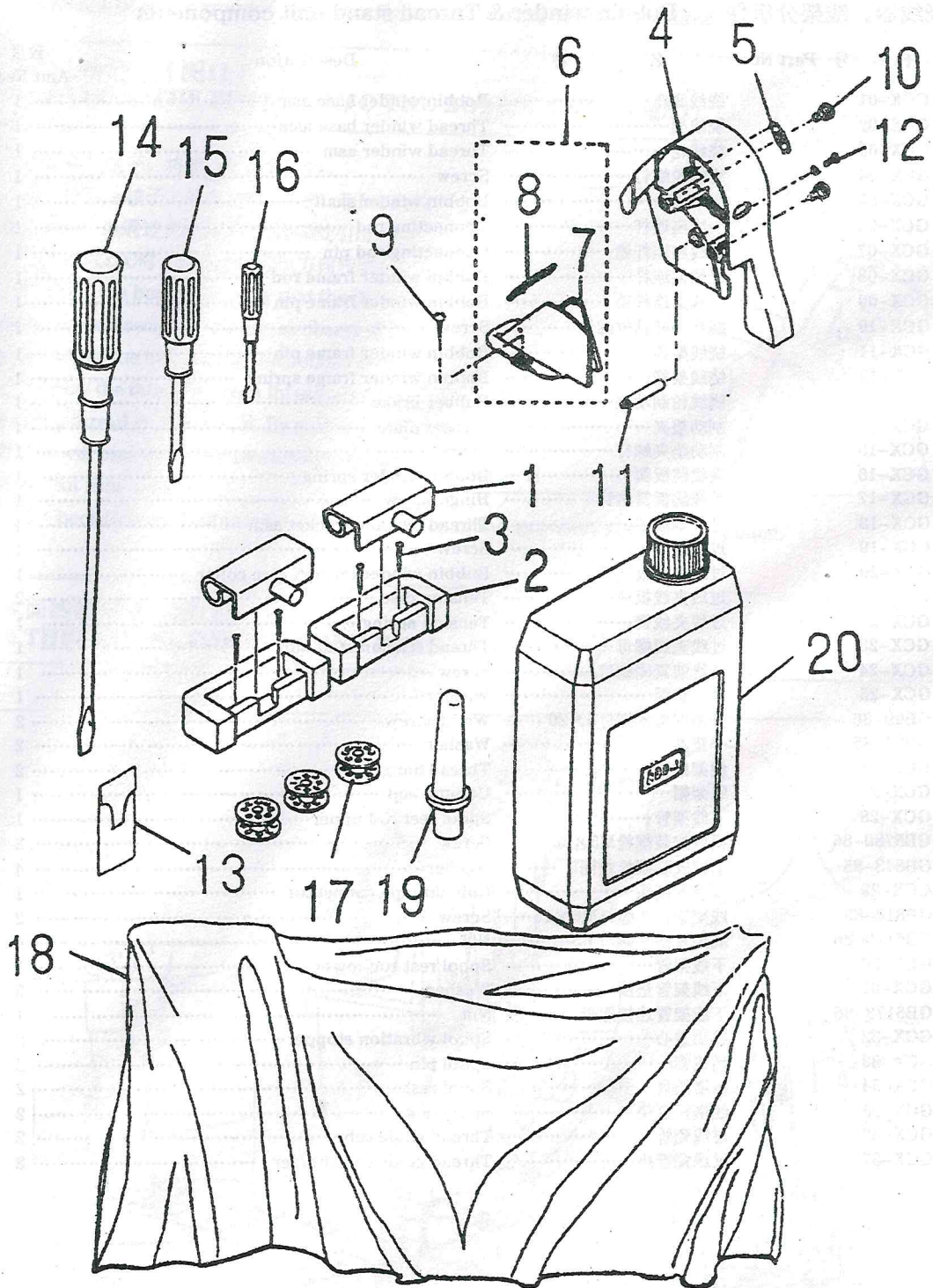
7.油盘、膝拾压脚分组件 Oil Reservoir & knee Lifter Components



序号 Ref.No.	件号 Part No.	名称	Description	数量 Amt. Req
1	01.07.1 (110-23009)	油盘	Oil reservoir	1
2	01.07.2(110-24304)	膝控拾压脚顶杆	Knee press lifter rod	1
3	01.07.3(110-23207)	垫块	Rubber cushion	4
4	01.07.4(110-23108)	密封衬垫	Gasket	1
5	01.07.5(SS-6700710-SH)	油盘放油螺钉	Screw	1
6	GB1235-76(RO-0982401-00)	O型密封圈15×2.4	O-ring	1
7	01.07.6(SS-8153010-SR)	螺栓	Screw	2
8	(NS-6150430)	螺母	Nut	2
9	01.07.7(SS-9151610-SR)	拾压脚双向曲柄螺钉	Screw	1
10	01.07.8(110-24106)	扭簧	Spring	1
11	01.07.9(RE-1000000-KO)	膝拾压脚轴挡圈	Knee press lifter rod snap ring	1
12	01.07.10(110-24205)	膝拾压脚轴	Knee press shaft	1
13	01.07.11(110-24502)	拾压脚操纵节头	Rubber joint	1
14	(SS-9182010)	操纵杆节头螺钉	Screw	2
15	01.07.12 (110-24007)	拾压脚双向曲柄	Knee press lifter crank	1
16	01.07.13(B3419-122-000)	操纵杆	Knee press plate rod	1
17	01.07.14(B3431-552-000)	操纵板软垫	Knee press plate cover joint	1
18	01.07.15(110-23702)	操纵板	Knee press plate	1
19	01.07.16(SS-9151540-SR)	操纵杆夹头螺钉	Screw	1
20	01.07.17(110-23801)	操纵杆夹头	Knee lifter tube holde	1
21	01.07.18(110-24403)	操纵杆垫块	Knee lifter pad	1
22	01.07.19	油盘磁铁	Oil reservoir magnet	1
23	01.07.20	油盘座垫	Oil reservoir felt cushion	2
24	01.07.21	油盘支座	Oil reservoir rubber cushion	2
25	01.07.22	油盘座钉	Nail	2

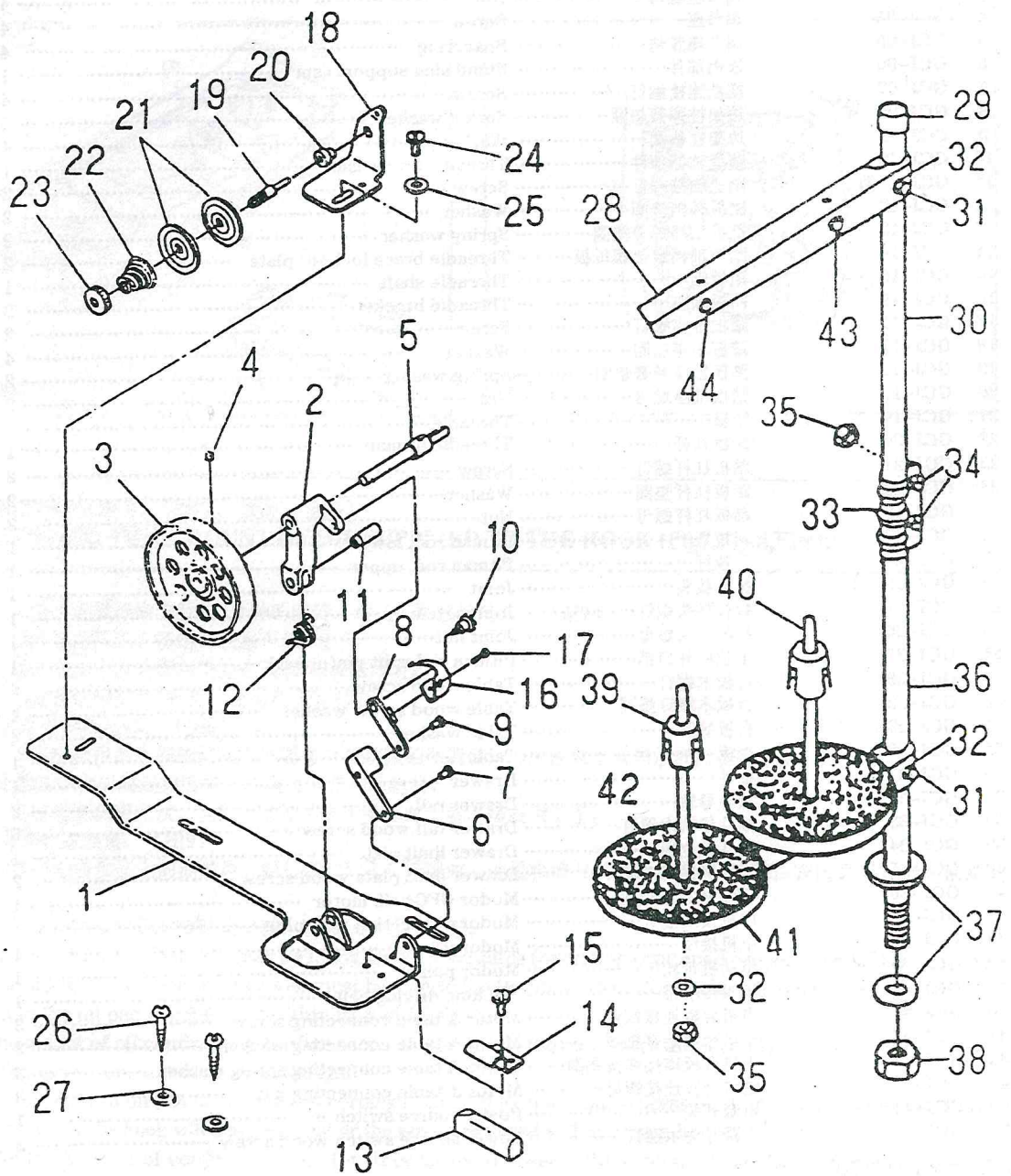
8. 机头附件 Machine head Accssories

序号 Ref.No.	件 号	Part No.	名 称	Description	数量 Amt.Req
1	01.08.1		机头连接钩部件.....	Machine hinge plate asm	2
2	01.08.2		机头连接钩座.....	Machine hinge plate	2
3	01.08.3		机头连接钩座钉.....	Nail.....	4
4	01.08.4		上轮前罩壳.....	Beltcover(front)	1
5	01.08.5		前罩壳安装架.....	Beltcover(front)cap	1
6	01.08.6		上轮后罩壳部件.....	Beltcover,rear asm	1
7	01.08.7		上轮后罩壳.....	Beltcover(rear).....	1
8	01.08.8		后罩壳盖部件.....	Beltcover(rear)cover asm.....	1
9	01.08.9		后罩壳安装木螺钉.....	Wood screw	2
10	01.08.10		前罩壳紧固螺钉.....	Beltcover(front)screw	2
11	01.08.11		后罩壳支柱.....	Beltcover support	1
12	01.08.12		支柱螺钉.....	Screw	1
13	01.03.19		机针.....	Needle	1包
14	01.08.13		螺丝刀(大).....	Screw driver, large	1
15	01.08.14		螺丝刀(中).....	Screw driver,medium	1
16	01.08.15		螺丝刀(小).....	Screw driver,small	1
17	01.03.36		梭心.....	Bobbin	3
18	01.08.16		机头罩.....	Machine head cover	1
19	01.08.17		机头支柱.....	Machine rest pin	1
20	01.08.18		油箱部件.....	Oil resevoil asm	1



9、绕线器、线架分组件 Bobbin winder & Thread stand unit components

序号 Ref.No.	件号, Part No.	名称	Description	数量 Amt. Req
1	GCX-01	绕线底座	Bobbin winder base asm	1
2	GCX-02	绕线架	Thread winder base asm	1
3	GCX-03	绕线轮	Thread winder asm	1
4	GCX-04	绕线轮螺钉	Screw	1
5	GCX-05	绕线轴	Bobbin winder shaft	1
6	GCX-06	绕线座连杆	Connecting rod	1
7	GCX-07	绕线座连杆销	Connecting rod pin	1
8	GCX-08	绕线架连杆	Bobbin winder frame rod	1
9	GCX-09	绕线架连杆销	Bobbin winder frame pin	1
10	GCX-10	绕线连杆轴位螺钉	Screw	1
11	GCX-11	绕线架销	Bobbin winder frame pin	1
12	GCX-12	绕线架簧	Bobbin winder frame spring	1
13	GCX-13	绕线轮制动垫	Rubber brake	1
14	GCX-14	制动垫夹	Presser plate	1
15	GCX-15	制动垫夹螺钉	Screw	1
16	GCX-16	满线跳板簧	Bobbin winder spring	1
17	GCX-17	满线跳板簧螺钉	Hinge screw	1
18	GCX-18	过线架座	Thread tension bracket asm	1
19	GCX-19	过线螺钉	Screw	1
20	GCX-20	过线夹线板挡圈	Bobbin winder tension disc collar	1
21	GCX-21	过线夹线板	Tension disc	2
22	GCX-22	过线夹线簧	Tension spring	1
23	GCX-23	过线夹线螺母	Thread tension stud nut	1
24	GCX-24	过线架紧固螺钉	Screw	1
25	GCX-25	螺钉垫圈	Washer	1
26	GB99-86	开槽圆头木螺钉5×20	Wood screw	2
27	GB95-85	平垫圈5	Washer	2
28	GCX-26	线架横臂	Thread hanger	2
29	GCX-27	线架帽	Column cap	1
30	GCX-28	上线架管	Spool rest rod upper	1
31	GB5780-86	横臂安装螺栓M5×30	Screw	2
32	GB848-85	横臂安装螺栓垫圈5	Washer	4
33	GCX-29	线架管接头	Column pipe connector	1
34	GB818-85	线架管接头螺钉M5×15	Screw	2
35	GB6170-86	线架管接头螺母M5	Nut	4
36	GCX-30	下线架管	Spool rest rod lower	1
37	GCX-31	下线架管垫圈	Washer	2
38	GB6173-86	下线架管连接螺母	Nut	1
39	GCX-32	线团定心	Spool vibration stopper	2
40	GCX-33	插线管	Spool pin	2
41	GCX-34	线塔托盘	Spool rest	2
42	GCX-35	线塔托盘垫	Spool mat	2
43	GCX-36	过线瓷管	Thread guide tube	2
44	GCX-37	过线瓷管座	Thread guide tube holder	2



10. 机架、台板、电器分组件* Machine Stable & Electric Appliance Components

序号 Ref.No.	件号 Part No.	名称	Description	数量 Amt.Req
1	GCJ-01	边架部件	Stand side asm	2
2	GCJ-02	边架座套	Rubber cushion	4
3	GCJ-03	调节座螺母	Nut	4
4	GCJ-04	调节座	Screw	4
5	GCJ-05	调节座胶垫	Spacing	4
6	GCJ-06	横档部件	Stand side support asm	1
7	GCJ-07	横档连接螺钉	Screw	4
8	GCJ-08	边架柱弹簧垫圈	Spring washer	4
9	GCJ-09	边架柱垫圈	Washer	4
10	GCJ-10	踏板轴档部件	Threadle brace asm	1
11	GCJ-11	踏板轴档螺钉	Screw	2
12	GCJ-12	踏板轴档垫圈	Washer	2
13	GCJ-13	踏板轴档弹簧垫圈	Spring washer	2
14	GCJ-14	踏板轴档定位螺母板	Threadle brace locknut plate	2
15	GCJ-15	踏板轴	Threadle shaft	1
16	GCJ-16	踏板轴座	Threadle bracket	2
17	GCJ-11	踏板轴座螺钉	Screw	2
18	GCJ-17	踏板轴座垫圈	Washer	4
19	GCJ-13	踏板轴座弹簧垫圈	Spring washer	2
20	GCJ-18	踏板轴座螺母	Nut	2
21	GCJ-19	踏板	Threadle	1
22	GCJ-20	踏板杠杆	Threadle pitman	1
23	GCJ-21	踏板杠杆螺钉	Screw	2
24	GCJ-22	踏板杠杆垫圈	Washer	2
25	GCJ-18	踏板杠杆螺母	Nut	2
26	GCJ-23	下拉杆	Pitman rod, lower	1
27	GCJ-24	上拉杆	Pitman rod, upper	1
28	GCJ-25	拉杆接头	Joint	1
29	GCJ-11	拉杆接头螺钉	Joint screw	1
30	GCJ-26	拉杆接头螺母	Joint nut	1
31	GCJ-27	上拉杆开口销	Pitman rod split pin(upper)	1
32	GCJ-28	台板木螺钉	Table wood screw	4
33	GCJ-22	台板木螺钉垫圈	Table wood screw washer	4
34	GCJ-29	台板垫圈	Table washer	4
35	GCJ-30	台板	Table	1
36	GCJ-31	抽斗	Drawer	1
37	GCJ-32	抽斗导轨	Drawer rail	2
38	GCJ-33	抽斗导轨木螺钉	Drawer rail wood screw	6
39	GCJ-34	抽斗限位板	Drawer limit plate	1
40	GCJ-35	抽斗限位板木螺钉	Drawer limit plate wood screw	2
41	GCJ-36	GFC4024型电机	Modor GFC4024 motor	1
42	GCJ-37	电机接线插头	Modor connecting wire plug	1
43	GCJ-38	电机接线	Modor wire	1
** 44	GCJ-39	电动机带轮	Modor pulley	1
45	GCJ-40	机头传动带	Machine driving belt	1
46	GCJ-41	电机台板连接螺钉	Motor & table connecting screw	3
47	GCJ-42	电机台板连接垫圈	Motor & table connecting washer	3
48	GCJ-13	电机台板连接弹簧垫圈	Motor & table connecting spring washer	3
49	GCJ-43	电机台板连接螺母	Motor & table connecting nut	3
50	GCJ-44	电源开关	Power source switch	1
51	GCJ-45	电源开关木螺钉	Power source switch wood screw	2

**本分组件需另行订购。

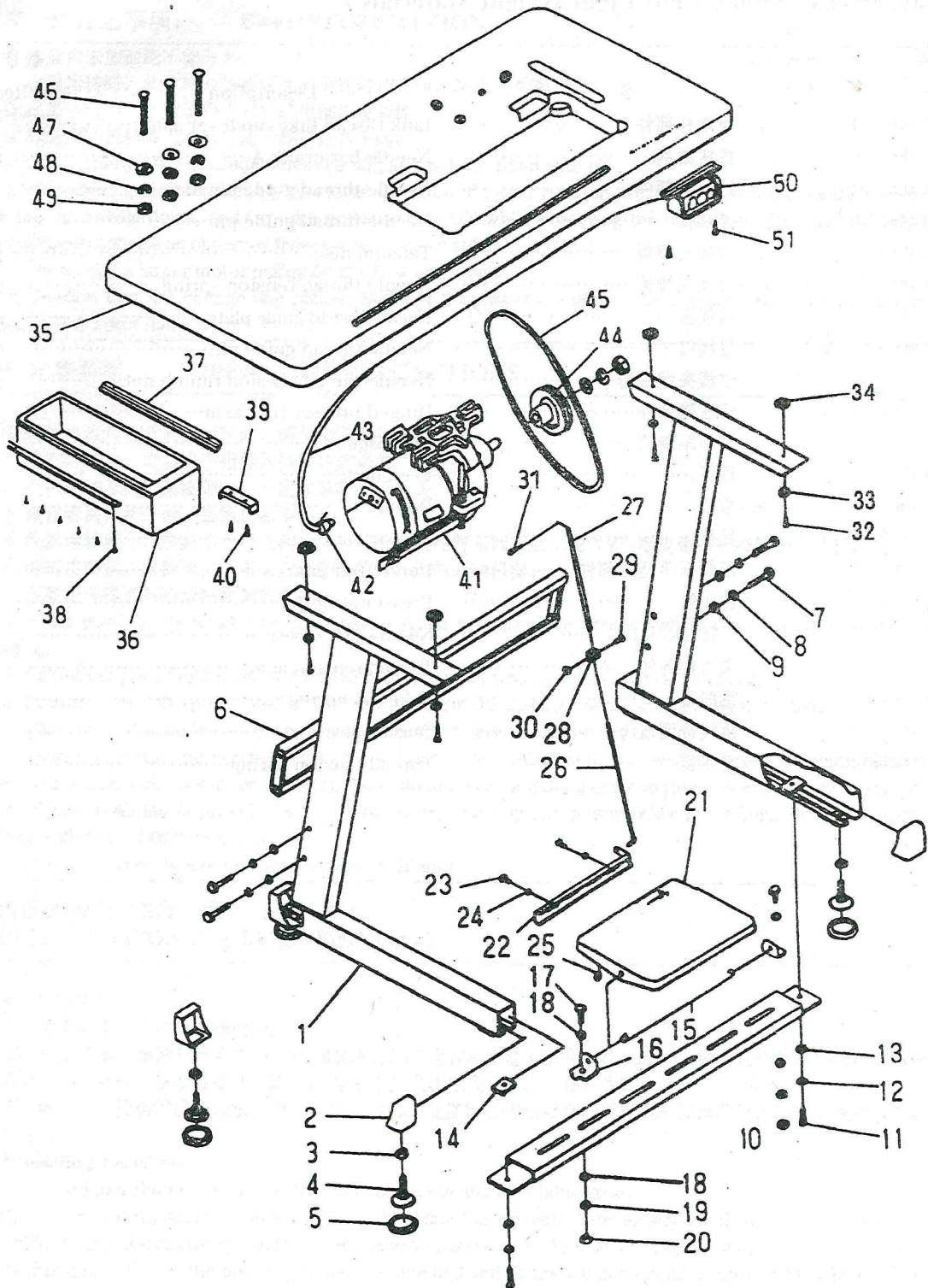
*Nate that parts above mentioned shall be purchased in a separate order

** GC5550Aet GCJ-39A带轮

GC5550H用GCJ-39H带轮

** Part No. GCJ-39A Motor pulley is used for Model GC5550A

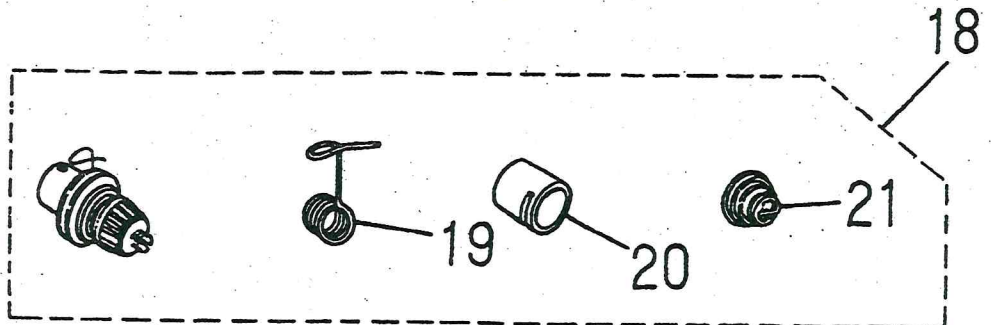
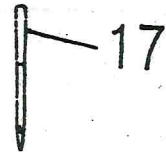
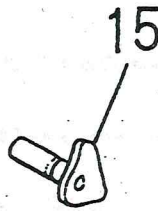
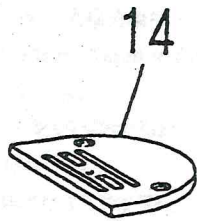
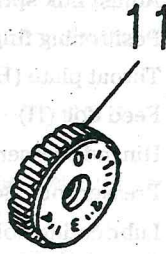
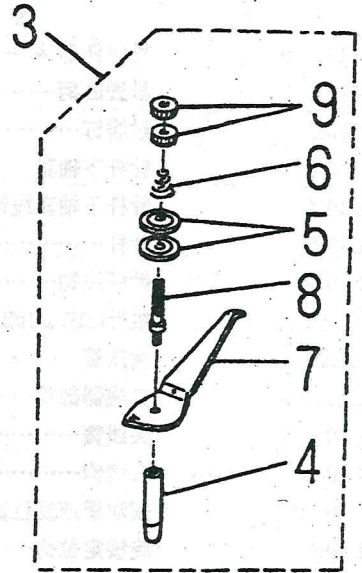
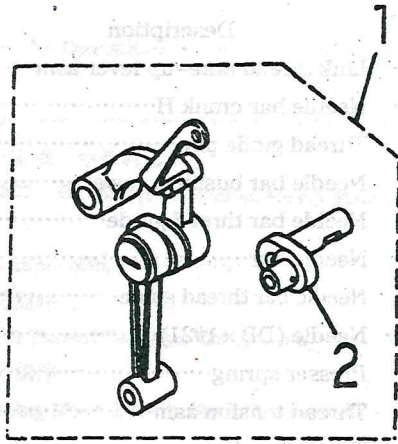
Part No. GCJ-39H Motor pulley is used for Model GC5550H



5550A型 8500A型(薄料用)

Model 5550A 8500A (For Light Weight Materials)

序号	件号	Part No.	名称	Description	数量
Ref.No.					Amt. Req
1	01.09.1-0		挑线杆部件	Link thread take-up lever asm	1
2	01.09.1-1		挑线曲柄	Needle bar crank A	(1)
3	01.09.2-0		过线器部件	Needle thread guide pin asm	1
4	01.09.2-1		过线柱	Needle thread guide pin	(1)
5	01.09.2-2		过线夹线板	Tension disc	(2)
6	01.09.2-3		过线夹线簧	Needle thread tension spring	(1)
7	01.09.2-4		过线板	Needle thread guide plate	(1)
8	01.09.2-5		过线钉	Needle thread guide pin	(1)
9	01.09.2-6		过线夹线螺母	Needle thread tension thumb nut	(2)
10	01.09.3-0		活压脚部件	Hinged presser foot asm	1
11	01.09.4		送料距旋钮	Feed dial	1
12	01.09.5		送料牙	Feed dog	1
13	01.09.6		梭心	Bobbin	1
14	01.09.7		针板	Throat plate	1
15	01.09.8-0		压脚扳手凸轮部件	Hand lifter cam asm	1
16	01.09.9		调压簧	Presser spring	1
17			机针(DA×1#9)	Needle(DA×1#9)	1
18	01.09.10-0		夹线器部件	Thread tension asm	1
19	01.09.10-1		挑线簧	Take-up spring	1
20	01.09.10-2		挑线簧调节座	Tension post socket	1
21	01.09.10-3		夹线簧	Thread tension spring	1



GC5550H 型 (厚料用)

Model GC5550H (For Heavy Weight Materials)

序号	件号	Part No.	名称	Description	数量
Ref.No.					Amt. Req
1	01.10.1-0		挑线杆部件	Link thread take-up lever asm	1
2	01.10.1-1		挑线曲柄	Needle bar crank H	(1)
3	01.10.2		过线钉	Thread guide pin	1
4	01.10.3		针杆下轴套	Needle bar bushing, lower	1
5	01.10.4		针杆下轴套线钩	Needle bar thread guide	1
6	01.10.5		针杆	Needle bar	1
7	01.10.6		针杆线钩	Needle bar thread guide	1
8			机针(DB × 1#21)	Needle (DB × 1#21)	1
9	01.10.7		调压簧	Presser spring	1
10	01.10.8-0		夹线器部件	Thread tension asm	1
11	01.10.8-1		夹线簧	Tension spring	1
12	01.10.9		右线钩	Arm thread guide (HA)	1
13	01.10.10		摆动板座复位簧	Adjust link spring	1
14	01.10.11		旋梭定位钩	Positioning finger	1
15	01.10.12		针板	Throat plate (H)	1
16	01.10.13		送料牙	Feed dog (H)	1
17	01.10.14-0		活压脚部件	Hinged presser foot asm	1
18	01.10.14-1		活压脚板	Presser foot asm	1
19	01.10.15		旋梭	Lubricating bobbin asm	1
20	01.10.16		防油板螺钉1/8-44L=2.5	Screw 1/8-44L=2.5	1
21	01.10.17		拉簧固定板	Feed spring hook	1

