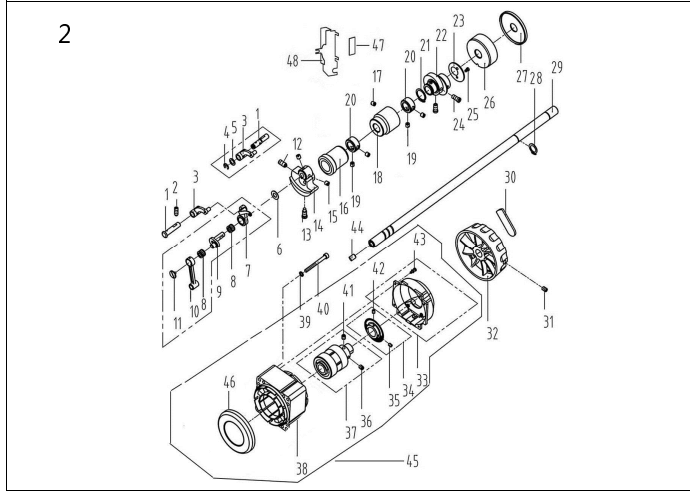


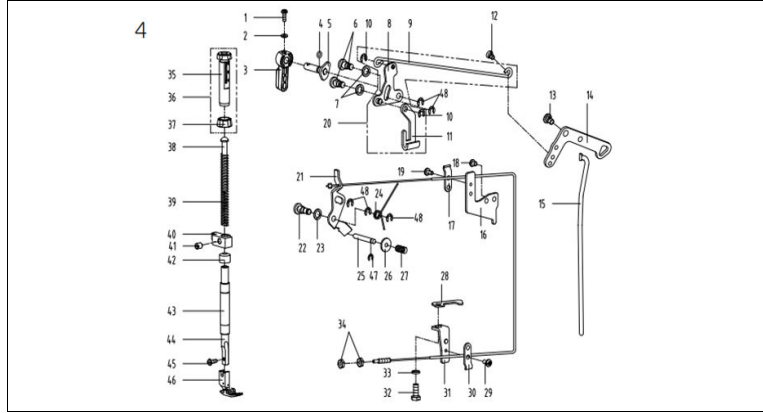
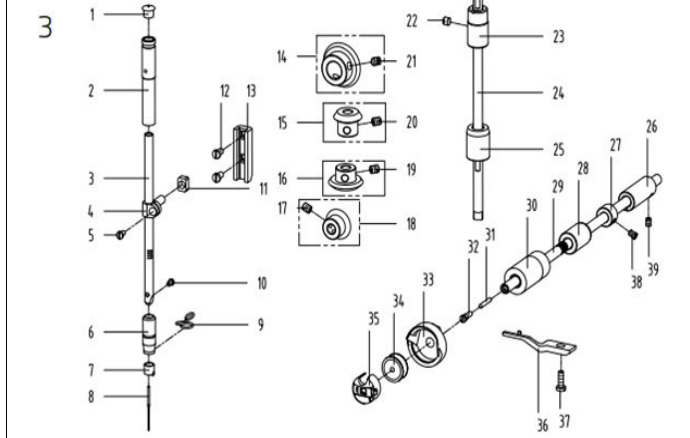
1. 机壳、外装分组件/Machine Frame & Miscellaneous Cover Components

序号NO.	公司件号	Part NO.	名称	PartName	零件描述	Description	数量	Number
1	10151001		后盖板螺钉SM3/16*28 L=9	Screw SM3/16*28 L=9			3	
2	10120003		面板穿孔孔塞盖	Rubber plug			2	
3	13837002		商标牌	Head card			1	
4	302591		面板(喷漆)	Face plate asm			1	
5	13813005		左线轴	Thread guide left			1	
6	10151007		右线轴螺钉SM1/6*4*40 L=6	Screw SM1/6*4*40 L=6			1	
7	13822006		面板垫	Face plate gasket			1	
8	10151027		防锈板螺钉SM1/8*44 L=3.4	Screw SM1/8*44 L=3.4			1	
9	10412007		面部防溢板	Face oil shield asm.			1	
10	11412082		面部防溢板(厚料)	Face oil shield asm.(H)			1	
11	10122013		杆杆上衬套孔塞	Rubber plug			1	
12	10122005		轴连接衬套孔塞	Rubber plug			1	
13	10122004		杆杆曲柄衬套孔塞	Rubber plug			1	
14	10151004		轴连接衬套螺钉SM3/16*28 L=7	Screw SM3/16*28 L=7			1	
15	13812018		轴连接衬套盖	Thread take-up lever cover			1	
16	10151004		轴连接衬套螺钉SM3/16*28 L=7	Screw SM3/16*28 L=7			1	
17	13512004		三孔线轴	3-hole thread guide			1	
18	10122005		轴连接衬套孔塞	Rubber plug			1	
19	11451015		割线刀螺钉SM9/64*40 L=6	Screw SM9/64*40 L=6			2	
20	10419001		割线刀	Knife			1	
21	20722002		盖盖	Rubber plug			1	
22	13822001		操作按钮	Rubber plug			2	
23	13822007		后盖板垫	Side plate gasket			1	
24	302592		后盖板(喷漆)	Side plate			1	
25	10151001		后盖板螺钉SM3/16*28 L=9	Screw SM3/16*28 L=9			11	
26	13810031		一体机电控架壳(阿克苏)	Electronic control box			1	
27	10109009		GB/T193-1985垫圈5	Washer 5			2	
28	114513001		直取电机螺钉M5x20	Screw M5x20			1	
29	114530001		螺柱(内六角)M5x25	Screw M5x25			1	
30	13833010		一体机电控组件(阿克苏)	Electronic control box(Q)			1	
31	13833013		一体机电控组件(阿克苏)	Electronic control box			1	
32	10122006		送料调节器孔塞	Rubber plug			1	
33	138505001		操作面板螺钉	Screw			2	
34	13833012		一体机电控面板组件(特型)	Control panel(Q)			1	
35	13833015		一体机电控面板组件(阿克苏)	Control panel			1	
36	13822002		面板支柱	Machine head stud			2	
37	10151004		螺钉	Screw			1	
38	1381300400		小夹线器组件	Thread tension asm			1	
39	138516019		小夹线器螺母	Thread tension nut			1	
40	11272001		小夹线器弹簧	Thread tension spring			1	
41	11212004		小夹线板	Thread tension disk			1	
42	13810008		小夹线器螺母	Thread tension post			1	
43	138505006		小夹线器固定螺钉SM3/16*28 L=7	Screw SM3/16*28 L=7			1	
44	13812066		过线板	Thread tension guide plate			1	
45	11322016		橡胶垫(四孔)	Rubber stop			1	
46	10119004		右线轴	Thread guide right			1	
47	10151007		右线轴螺钉SM1/6*4*40 L=6	Screw SM1/6*4*40 L=6			4	
48	10151010		三销轴螺钉SM15/64*28 L=10.5	Screw SM15/64*28 L=10.5			1	
49	10126030		松线杆	Tension release pin			1	
50	10122014		轴连接调节器O型圈	Rubber ring			1	
51	10151005		夹线器固定螺钉SM9/64*40 L=5.5	Screw SM9/64*40 L=5.5			1	
52	10127001		轴连接	Thread take-up spring			1	
53	10127031		轴连接(厚料)	Thread take-up spring(H)			1	
54	10103001		轴连接调节器	Thread tension base			1	
55	10112005		夹线板	Thread tension disk			2	
56	10120006		松线板	Disk stopper			1	
57	101390002		夹线螺钉	Thread tension post			1	
58	10127002		夹线弹簧	Thread tension spring A			1	
59	11427050		夹线弹簧(厚料)	Thread tension spring A (H)			1	
60	10127007		夹线器衬套	Thread tension stopper			1	
61	138516013		夹线器螺母	Thread tension nut			1	
62	1381300500		夹线器弹簧	Thread tension asm			1	
63	1381300700		夹线器螺母(厚)	Thread tension asm(H)			1	
64	1383002700		电子夹线器组件	Nest less e-device			1	
65	20754007		螺钉M4X6	Screw M4X6			1	
66	11413001		固定式衬套	Thread guide			1	
67	40156001		螺母SM9/64*40	Nut SM9/64*40			1	
68	10151002		卷边器固定螺钉SM11/64*40 L=5.5	Screw SM11/64*40 L=5.5			1	
69	13812002		卷边器座	Ruler stop seat			1	
70	11440006		针板	Needle plate			2	
71	11350001		针板(厚料)	Needle plate(H)			1	
72	10815001		针板(-7)	Needle plate(-7)			1	
73	1015002		推板	Slide plate			1	
74	10127009		推板簧	Slide plate spring			1	
75	10151019		推板簧螺钉SM3/32*56 L=2	Screw SM3/32*56 L=2			2	
76	13812109		固定板	Fixed plate			1	
77	604010		GB/T65-1985螺钉M4x5.5	Screw M4X5.5			1	
78	138530007		固定板螺钉	Screw			1	
79	12922015		橡胶垫	Rubber plug			1	
80	13826009		罩壳台脚踏	Pin			1	
81	14011002		面板座(亚克力)	Panel seat			1	
82	1405018		GB/T896-1986卡簧3.5	Snap ring 3.5			1	
83	1401009		一体机电控后侧盖(阿克苏)	Side cover			1	



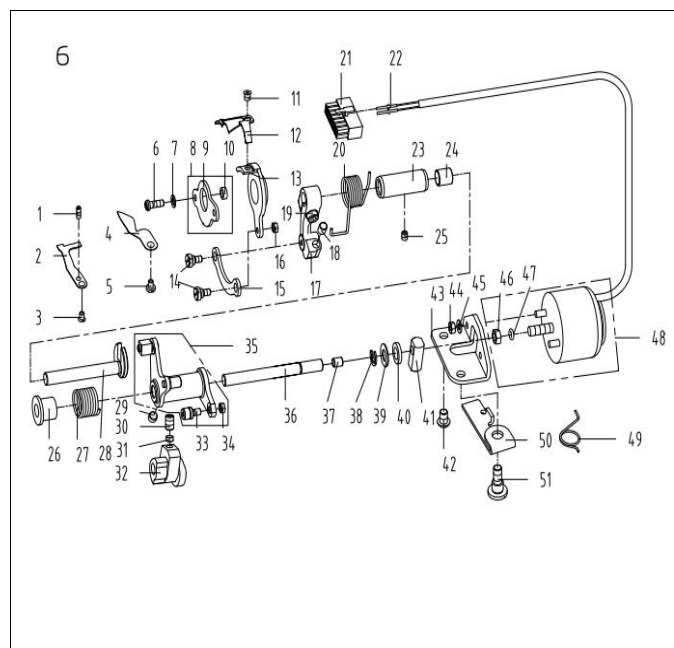
2. 上轴挑线分组件/Main Shaft & Thread Take-up Components

序号NO.	公司件号	Part NO.	名称	PartName	零件描述	Description	数量	Number
1	10126001		轴连接杆(厚料)	Thread take-up connecting rod (H)			1	
2	10151001		轴连接杆	Thread take-up connecting rod pin			1	
3	10151001		上轴螺钉 SM15/64*28 L=15	Screw SM15/64*28 L=15			1	
4	10151001		轴连接杆(厚料)	Thread take-up connecting rod (H)			1	
5	405013		GB/T896-1986垫圈	Snap ring			1	
6	11328010		垫片	washer			1	
7	10127003		杆杆曲柄衬套	Needle bar crank protecting plate			1	
8	1013800100		轴连接杆分组件	Thread take-up lever asm.			1	
9	1133800200		轴连接杆分组件(厚料)	Thread take-up lever asm. (H)			1	
10	10124001		轴连接杆衬套	Needle bearing			2	
11	11310012		轴连接杆分组件	Thread take-up crank			1	
12	1011000400		轴连接杆分组件(厚料)	Thread take-up crank (H)			1	
13	10100100		轴连接杆分组件(H-M)	Thread take-up crank (H-M)			1	
14	10125002		杆杆连接杆	Needle bar connecting rod			1	
15	10151004		轴连接杆螺钉 SM9/32*28 L=16	Screw SM9/32*28 L=16			1	
16	10151004		轴连接杆螺钉 SM9/32*28 L=16	Screw SM9/32*28 L=16			1	
17	10151003		杆杆固定定位螺钉SM9/32*28 L=16	Screw SM9/32*28 L=16			1	
18	10404001		杆杆曲柄	Needle bar crank			1	
19	11404035		杆杆曲柄(厚料)	Needle bar crank (H)			1	
20	10151002		送料轴衬套螺钉SM1/4*40 L=6	Screw SM1/4*40 L=6			2	
21	1140300200		上轴前轴衬套	Main shaft bushing front			1	
22	10151006		夹线器螺钉SM15/64*28 L=7	Screw SM15/64*28 L=7			1	
23	12203002		主轴衬套	Main shaft bushing mid			1	
24	101514001		上轴中套衬套	Screw			4	
25	20108001		上轴衬套	Main shaft thrust collar			2	
26	403002		衬套 20	Snap ring 20			1	
27	11310014		送料偏心轮	Feed eccentric cam			1	
28	400006		送料偏心轮(厚料)	Feed eccentric cam (H)			1	
29	400081		送料偏心轮盖	Feed eccentric cam (H-M)			1	
30	10121007		送料偏心轮盖(H-M)	Cover plate(H-M)			1	
31	10151013		送料偏心轮螺钉 SM1/4*40 L=13	Screw SM1/4*40 L=13			2	
32	11351003		护针片螺钉 SM9/64*40 L=5	Screw SM9/64*40 L=5			1	
33	13803002		上轴后轴衬套	The rear axle sleeve			1	
34	10122105		上轴后套油封	Oil seal			1	
35	13813001		衬套 15	Snap ring 15			1	
36	13802060		上轴	Main shaft			1	
37	13817021		手轮 垫套	Handwheel liable			1	
38	301009		螺钉	Screw			2	
39	302830		衬套	Handwheel			1	
40	1383300600		电机壳罩(配墙型)	Motor cover asm(Q)			1	
41	1383300700		电机壳罩(配阿克苏)	Motor cover asm			1	
42	1383300900		电机壳罩(配阿克苏)	Motor grating sensor asm			1	
43	1383300500		电机壳罩(配墙型)	Motor grating sensor asm(Q)			1	
44	138177-2000		内六角扁头螺钉M3x4	Screw M3x4			1	
45	138177-2000		内六角扁头螺钉M6x6	Screw M6x6			1	
46	1383300400		电机转子总成	Motor rotor			1	
47	13833002		电机定子总成(配墙型)	Motor stator(Q)			1	
48	13833003		电机定子总成(配阿克苏)	Motor stator			1	
49	138179-1987		弹簧 5	Spring washer 5			4	
50	13817701-2000		内六角扁头螺钉M5x50 B8级	Screw M5x50			4	
51	1381778-2000		内六角扁头螺钉M6x8	Screw M6x8			1	
52	1381778-2000		内六角扁头螺钉M3x4	Screw M3x4			1	
53	138179074.8		十字槽小头螺钉组合件M3x8	Screw			1	
54	10121012		上轴孔塞	Rubber plug			2	
55	13833050		ZB-MA4-25A光电传感器(电机)	Motor			1	
56	13833051		ZB-MA4-25A光电传感器(电机)	Motor(Q)			1	
57	13819060		电机绝缘防护罩	Motor insulation shield			1	
58	14123001		防震罩垫圈	Oil cotton			1	
59	1412004		防震罩	Oil shield			1	



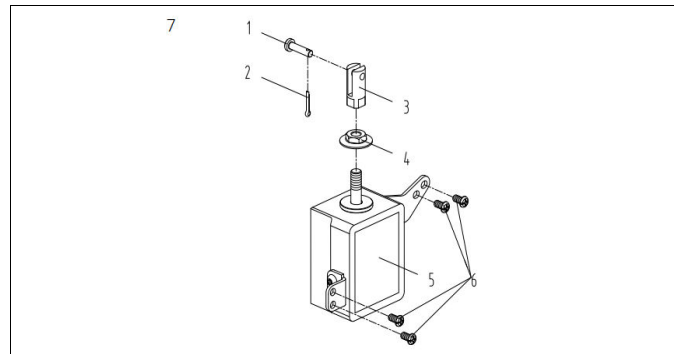
4. 压料、自动抬压脚分组件/Presser Bar , Auto Lifter Components

序号NO.	公司件号	Part NO.	名称	PartName	零件描述	Description	数量	Number
1	10151010		压脚板手螺钉 SM9/64*40 L=11	Screw SM9/64*40 L=11			1	
2	10128002		压脚板手螺母	Washer			1	
3	13811029		压脚板手	Hand lifter			1	
4	1010104		O型圈	Rubber ring			1	
5	1381002000		压脚板手凸轮分组件	Hand lifter cam asm.			1	
6	101520001		轴杆衬套	Screw			2	
7	10128015		碟形弹性垫圈(厚)	Washer (H)			2	
8	1381203000		抬压脚杆分组件	Lift front lever component			1	
9	10121013		抬压脚杆	Knee lifter pull rod			1	
10	405003		GB/T896-1986垫圈 5	Snap ring			2	
11	10121010		抬压脚板	Lifting plate			1	
12	101520004		抬压脚杆螺钉 SM3/16*32	Hinge Screw SM3/16*32			1	
13	101520003		后杆杆轴位螺钉 SM15/64*28	Hinge screw SM15/64*28			1	
14	12812033		抬压脚杆	Knee lifter back lever			1	
15	13812028		抬压脚杆	Knee lifter connecting rod			1	
16	11212009		松线导管上支架	Wire release bracket upper			1	
17	11212008		松线导管压板	Wire release press plate			1	
18	10151004		轴连接杆螺钉 SM3/16*28 L=7	Screw SM3/16*28 L=7			1	
19	11351004		松线导管板螺钉 M4x8	Screw M4x8			1	
20	1381203200		抬压脚杆分组件	Knee lifter lever asm			1	
21	1141206000		松线导管板	Wire release plate asm			1	
22	101520002		松线导管板螺母	Wire release plate pin			1	
23	10128015		碟形弹性垫圈(厚)	Washer(H)			1	
24	11427009		抬压脚杆复位位置					



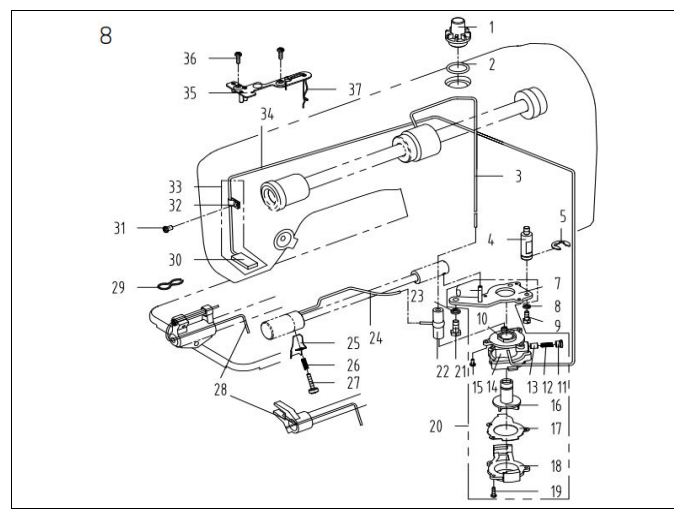
6. 切线装置部件/Thread Trimmer Components

序号NO.	公司件号	Part NO.	名称	PartName	零件描述	Description	数量	Number
1	10355002		北方康节螺钉SM11/8"x4 L=9.5	Screw SM11/8"x4 L=9.5			1	
2	1039001		刀片	Scam knife			1	
3	10357001		螺钉SM9/64"x40	Screw SM9/64"x40			1	
4	1031003		护片	Needle guard patch			1	
5	20151009		螺钉SM9/64"x40 L=5.5	Screw SM9/64"x40 L=5.5			1	
6	10351001		螺钉SM11/64"x40 L=12	Screw SM11/64"x40 L=12			2	
7	10128003		牙架座螺钉垫圈	Washer			2	
8	10310300		刀架压板组件	Knife bracket press component			1	
9	1031031		刀架压板	Knife bracket press			1	
10	1030302		短套	Short bushing			2	
11	10357002		活动刀固定螺钉SM11/64"x40 L=4.4	Screw SM11/64"x40 L=4.4			2	
12	1039002		活动刀(厚料长槽)	Moterial knife			1	
13	1039003		活动刀(厚料长槽)	Moterial knife (H)			1	
14	1037001		剪线刀架	Knife bracket			1	
15	10352001		连杆螺钉SM11/64"x40	hinge Screw SM11/64"x40			2	
16	1032005		连杆	Connecting rod			1	
17	10455004		螺母SM11/64"x40	Nut SM11/64"x40			1	
18	1034001		曲柄	Crank			1	
19	1032001		驱动曲柄止动块	Crank driver stopper block			1	
18	1032001		驱动曲柄止动块	Crank driver stopper block			1	
19	505004		螺钉M5x14	Screw M5x14			1	
20	1037001		弹簧	Spring			1	
21	10230004		4孔连接器	Plug			1	
22	10230005		电插插针	Pin			1	
23	1030303		切线轴套	Thread cutting shaft bushing			1	
24	10350005		驱动曲柄轴衬套	Crank drive shaft bushing			1	
25	10354002		螺钉SM11/64"x40 L=5.5	Screw SM11/64"x40 L=5.5			1	
26	1032002		弹簧盖	Spring cover			1	
27	1037002		弹簧	Spring			1	
28	1034002		切线凸轮曲柄轴	Crank shaft			1	
29	10354001		上轴挡圈螺钉	Screw			1	
30	10654005		螺钉SM11/4"x40 L=10	Screw SM11/4"x40 L=10			2	
31	10309030		凸轮顶杆	Push rod			2	
32	1030004		凸轮	Cam			1	
33	103001		凸轮(厚料)	Cam (H)			1	
34	10324001		滚针	Rolling pin			1	
35	10356002		螺母SM11/64"x40	Nut SM11/64"x40			1	
36	103400500		剪线驱动组件	Thread trimmer drive asm.			1	
37	1032001		轴	Shaft			1	
38	1032001		驱动曲柄止动块	Positioning block			1	
39	1012003		GB/T896-1986挡圈	Snap ring			1	
40	1012003		针杆曲柄护板	Cunter weight protecting			1	
41	1032003		电磁铁缓冲垫	Solenoid cushion rubber			1	
42	1030901		切线电磁铁顶帽	Solenoid pin			1	
43	10151026		油架安装螺钉SM15/64"x28 L=9	Screw SM15/64"x28 L=9			1	
44	1032006		切线磁铁支架	Solenoid bracket			1	
45	101005		螺母 M4	Nut M4			2	
46	102002		GB/T93-1987 弹簧垫圈4	Washer			2	
47	10256006		螺母SM11/4"x40	Nut SM11/4"x40			1	
48	101004		O型圈	rubber ring			1	
49	103003300		剪线电磁铁组件	Thread trimmer solenoid asm.			1	
50	1037003		弹簧	Spring			1	
51	1032007		胶线座	Thread release bed			1	
51	1032002		螺钉SM11/4"x28	Screw SM11/4"x28			1	



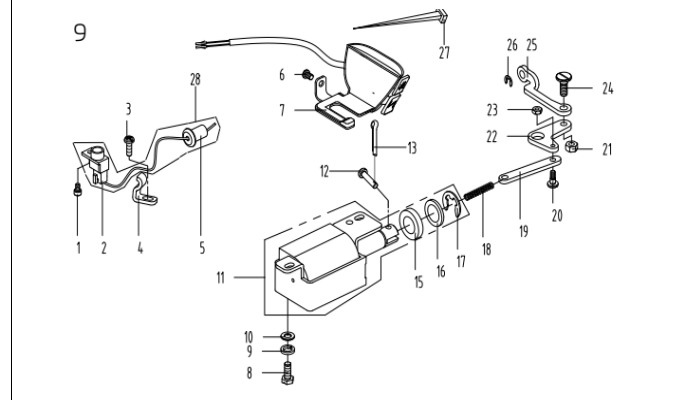
7. 自动抬压脚组件/Auto Lifter Components

序号NO.	公司件号	Part NO.	名称	PartName	零件描述	Description	数量	Number
1	10326005		销子	Pin			1	
2	104001		开口销 GB/T91 2x4	Cotter pin			1	
3	10326006		电磁铁接头	Solenoid connector			1	
4	10356004		法兰螺母M8	Flange nuts M8			1	
5	10120300		电磁铁组件	Solenoid asm.			1	
6	10151001		后盖螺钉SM3/16"x28 L=9	screw SM3/16"x28 L=9			4	



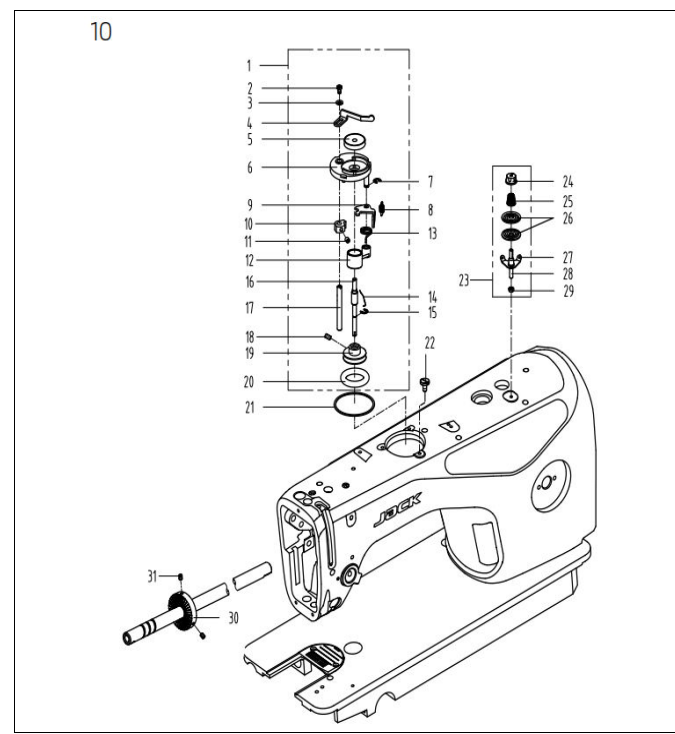
8. 润滑、油量检测组件/Oil Lubrication, Oil Measuring Components

序号NO.	公司件号	Part NO.	名称	PartName	零件描述	Description	数量	Number
1	1021004		油窗	Oil sight window			1	
2	1012019		油窗O形圈	Rubber ring			1	
3	10121001		主轴供油管	Main shaft oil tube			1	
4	102530005		油泵连接螺柱	Oil pump connecting stud			1	
5	10329010		开口挡圈10	Snap ring 10			1	
6	10121001		供油管	Hook oil tube			1	
7	10121020		油泵安装板	Oil pump installing base			1	
8	10103002		弹簧	Spring washer			1	
9	20992001		压脚螺钉SM11/64"x40 L=10.5	Screw SM11/64"x40 L=10.5			1	
10	10103022		油泵体衬套	Oil pump bushing			1	
11	101530007		柱塞螺钉	Plunger Screw			1	
12	10121013		柱塞簧	Plunger spring			1	
13	10121018		回油柱塞	Plunger			1	
14	1012001		油泵体	Oil pump			1	
15	504093		油泵螺钉	Screw			3	
16	10101003		油泵叶轮	Oil pump impeller			1	
17	10101021		油泵叶轮托板	Oil pump impeller cover			1	
18	10101007		油泵盖	Lubricating oil pump cover			1	
19	101530006		螺钉	Screw			3	
20	101200100		油泵分部件	Lubricating oil pump component			1	
21	106530003		扭牙又固定螺钉SM15/64"x28 L=14.5	Screw SM15/64"x28 L=14.5			1	
22	10136001		供油管接头	Rubber joint			1	
23	1020004		GB/T93-1987弹簧M6	Spring Washer M6			1	
24	10382105		钩状供油管	Hook driving shaft oil tube			1	
25	1038031		挡油盖	Oil shield cover			1	
26	10382104		油量调节螺钉弹簧	Spring			1	
27	103530001		油量调节螺钉	Screw			1	
28	10423005		油线	Oil wick			1	
29	10127015		回油毡垫	Oil felt clamp			1	
30	10123006		回油毡	Oil felt felt			1	
31	10151004		换线杆护罩螺钉SM3/16"x28 L=7	Screw SM3/16"x28 L=7			1	
32	1012023		回油管盖	Oil tube clamp			1	
33	10121007		回油管部件	Oil return tube component			1	
34	10121008		回油管	Oil return tube			1	
35	10121025		油线固定板	Oil wick fixing plate			1	
36	10151010		压脚螺钉SM9/64"x40 L=11	Screw SM9/64"x40 L=11			2	
37	10123010		油线	Oil wick			1	



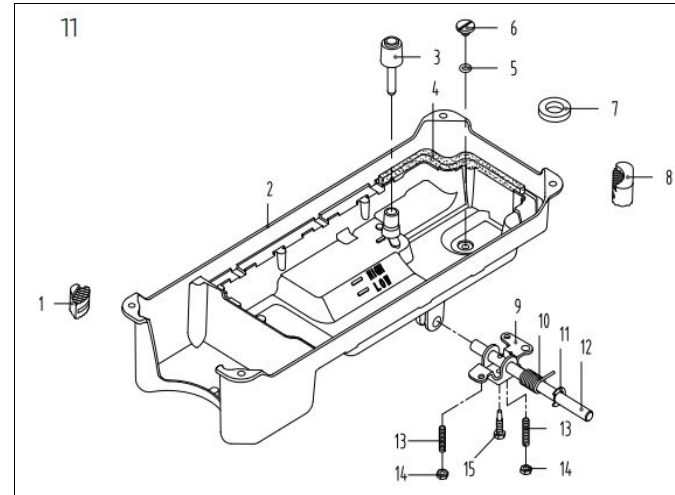
9. 自动倒送料开关、感应抬压脚组件/Automatic Reverse Feed Components

序号NO.	公司件号	Part NO.	名称	PartName	零件描述	Description	数量	Number
1	505254		GB/T70.1-2000螺钉M2.5x4	Screw M2.5x4			1	
2	103004600		下感应探头	Lower sensor			1	
3	20151012		螺钉SM9/64"x40 L=7.7	Screw SM9/64"x40 L=7.7			1	
4	10381022		过线压板	Screw M4x8			1	
5	10382030		橡皮塞(单孔)	Rubber plug			1	
6	10151004		换线杆护罩螺钉SM3/16"x28 L=7	Screw SM3/16"x28 L=7			1	
7	1040303600		双开夹组件	Auto reverse feed switch asm			1	
8	106530003		扭牙又固定螺钉SM15/64"x28 L=14.5	Screw SM15/64"x28 L=14.5			2	
9	1020004		GB/T93-1987弹簧M6	Spring washer M6			2	
10	106530005		扭牙又固定螺钉M6	Washer			2	
11	1038003400		自动倒送料电磁铁	Auto reverse feed solenoid			1	
12	1038003500		自动倒送料电磁铁(-7)	Auto reverse feed solenoid(-7)			1	
13	10326005		销子	Pin			1	
14	104001		开口销 GB/T91 1x11	Cotter pin			1	
15	10320440		橡胶压片	rubber plunger			1	
16	10328031		垫片	Washer			1	
17	10405014		GB/T896-1986开口挡圈	Snap ring			1	
18	1027006		自动倒送料连杆 弹簧	Plunger spring			1	
19	10312034		自动倒送料连杆	Auto reverse feed connecting rod			1	
20	102530002		扭脚螺钉SM11/64"x40	Hinge Screw SM11/64"x40			1	
21	10256007		扭脚长螺母SM11/4"x28	Nut SM11/4"x28			1	
22	10204003		自动倒送料曲柄	Auto reverse feed crank			1	
23	10256008		扭脚螺母SM11/64"x40	Nut SM11/64"x40			1	
24	10252001		扭脚长螺钉 SM11/4"x28	Hinge Screw SM11/4"x28			1	
25	10212029		自动倒送料拉杆	Auto reverse feed pull shaft			1	
12	10103011		自动倒送料拉杆(H-M)	Auto reverse feed pull shaft(H-M)			1	
26	10123020		开口挡圈5	Snap ring 5			1	
27	10121005		尼龙扎带	Cable band			8	
28	103004600		上感应探头组件	Lower sensor			1	



10. 绕线器组件/Bobbin Components

序号NO.	公司件号	Part NO.	名称	PartName	零件描述	Description	数量	Number
1	1038103900		绕线器组件	Bobbin winder asm.			1	
2	10451008		螺钉M4x6	Screw M4x6			1	
3	GB/T197.1		垫圈4	Washer			1	
4	10110303		压线控制板	Thread press control plate			1	
5	1011120		绕线衬垫	Winding pad			1	
6	10381101		绕线器装置底座	Bobbin winder bed			1	
7	GB/T 896-1986		开口挡圈5	Snap ring			1	
8	10127061		复位板拉簧	Spring			1	
9	10382101		调节板	Regulating plate			1	
10	10110030		绕线凸轮	Bobbin winder cam			1	
11	509045		螺钉	Screw			1	
12	103810600		绕线器连杆 组件	Bobbin winder connecting rod			1	
13	10382703		绕线器复位板	Spring			1	
14	10127060		弹簧	Spring			1	
15	GB/T 896-1986		开口挡圈4	Snap ring			1	
16	10380211		绕线器主轴	Bobbin winder main shaft			1	
17	10380206		绕线器凸轮轴	Bobbin winder cam shaft			1	
18	509103		绕线器螺钉	Screw			2	
19	10381102		绕线器轮	Bobbin winder wheel			1	
20	1011010		O型圈	Ring			1	
21	10422062		密封垫	Washer			1	
22	10451003		螺钉SM3/16"x28 L=10	Screw SM3/16"x28 L=10			3	
23	103810600		绕线器装置底座	Bobbin thread tension asm.			1	
24	10381004		夹线螺母	Thread tension nut			1	
25	10427006		小夹线弹簧	Spring			1	
26	1012005		夹线板	Thread tension disk			2	
27	10413022		夹线过线板	Thread tension guide plate			1	
28	10251004		夹线螺钉	Screw			1	
29	10451001		螺母SM11/64"x40	Nut SM11/64"x40			1	
30	10435013		绕线器驱动轮	Driving wheel			1	
31	50009		螺钉M6x8	Screw M6x8			2	



11.